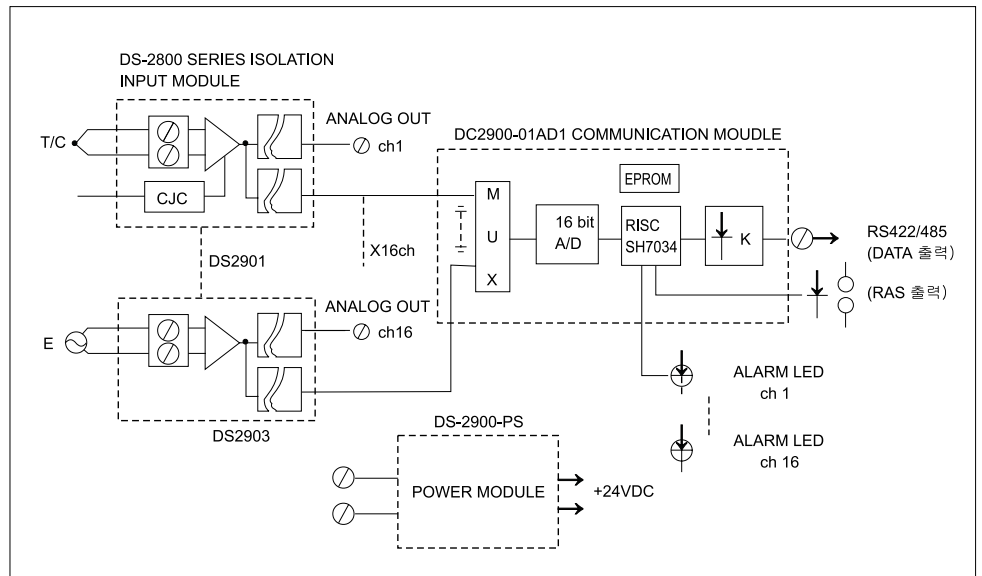
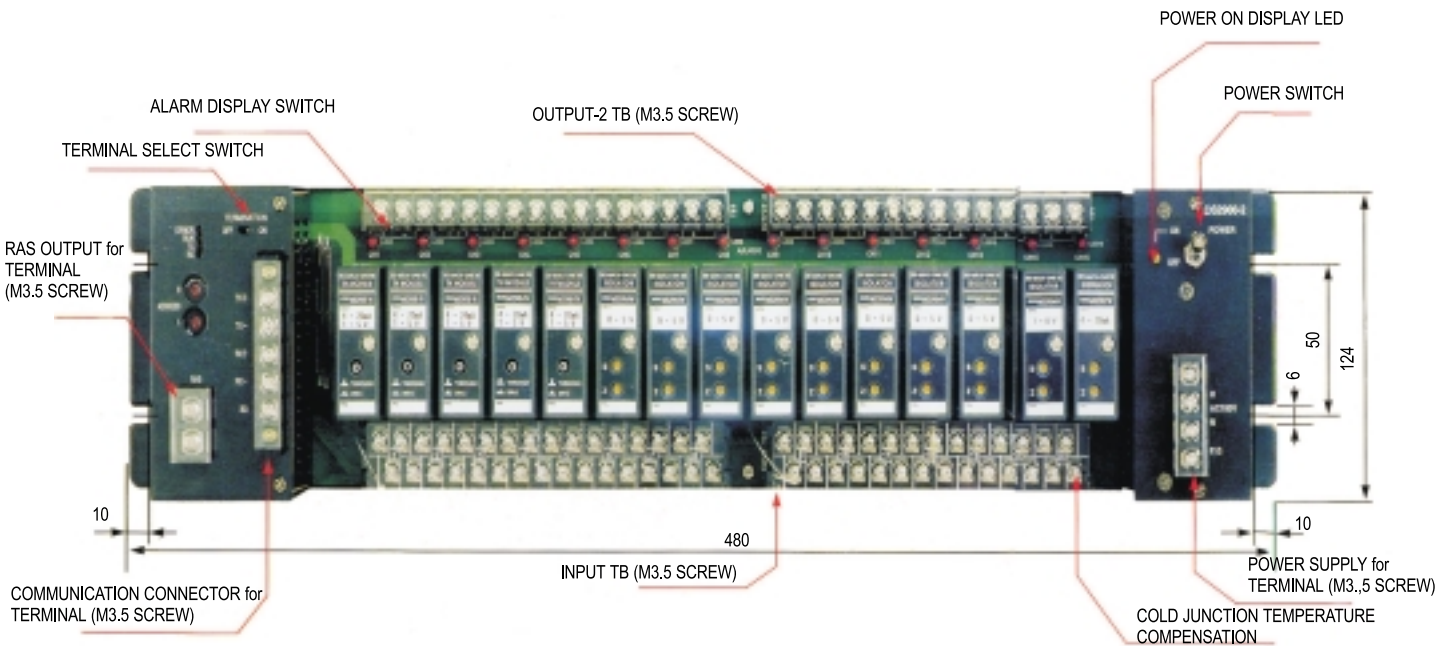
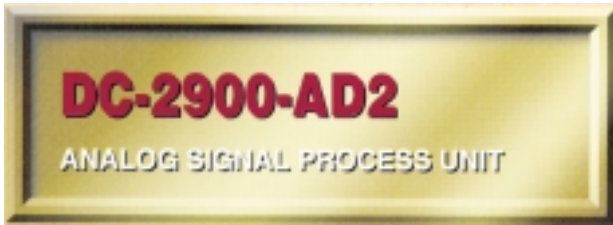


DC-2900-AD2

ANALOG SIGNAL PROCESS UNIT

DC2900-AD2는 DS2900 SERIES 의 2-출력 신호 변환기의 제1출력을 A/D 변환 하고, CHANNEL 마다 HIGH/LOW ALARM 설정. 검출 기능을 추가하였고, RS-422/485 통신에 의한 COMMAND 대응으로 HOST COMPUTER 등에 DATA를 INTERFACE 하는 것입니다. 제2출력은 UNIT 상의 단자에서 출력되어 DDC 입력 LOOP CONTROLLER, RECORDER등의 입력 신호로서 이용할 수 있는 다목적 SIGNAL CONDITIONER 입니다.





DC2900-01-AD2 ANALOG COMMUNICATION MODULE SPECIFICATIONS

[ANALOG INPUT]
 Channel : 16 channel
 Input signal : ±5V
 Input Resistance : 100KΩ Min.
 A/D resolution : 16 Bit.
 [SELF-DIAGNOSTIC FUNCTION]
 Watching Timer
 Room, Ram Check
 E Prom Check
 [COMMUNICATIONS SPECIFICATIONS]
 Communications Interface :
 RS-422A, RS-485
 Communications Speed :
 600 bps ~ 38bps (S/W selected)
 Communications Cable :
 Shield Part-Twist Pair
 Communication Method
 Start-stop Synchronization
 Communication Format :



Data Bit : 8bit Or 7 Bit
 Parity Bit : None
 Stop Bit : 1 Or 2 Bit
 Station Address : Rotary S/W

DS2900 INPUT ISOLATION MODULE

The-DS2900 series isolation modules input, output channel-1, Channel-2 and Power Input are fully isolated from each other. This will prevent false signals due to ground loop currents and damage to computer systems due to high common mode voltage. Input port of input module and output port of output module are isolated at 1,500V AC breakdown voltage from others. Other ports are isolated at 500V AC breakdown voltage from each other.



MODULE SPECIFICATIONS

Insulation Resistance	100MΩ min. (@500V DC) Input1-Output1-Output2-Power		
Directric Strength (Input-Module)	Input1-[Output1-Output2-Power] 1,500V AC for 1 minute Output-Output2-Power : 500V AC for 1 minute		
Operating Environmen	Ambient temperature : 0~55℃ Humidity : 90% RH max. (Non-Condensation)		
Power Requirement	24V DC±10%		
Power Sensitivity	±0.1% of Output (@10% Variance)		
Overcurrent	2.2Ω 1/4 W fuse resister on power line		
Storage Temperature	-10~60℃		
Dimension	W48 X H70 X D17.5mm		
Material	Housing	ABS	
	PCB	Glass Fabric, Epoxy Resin	
Output Signal	CODE	1ST Output	2ND Output
	V1	1~5V DC	1~5V DC
	V5	0~5V DC	0~5V DC
	C1	Communication unit input allowable	4~20mA DC
Max Output Load	Voltage Oupout : 2mA Current Output : 300Ω		
Front Adjustments	Zero and Span : ±2%		

● MODULE TYPE

MODEL NAME	DESCRIPTION
DS 2901	T/C MODULE
DS 2902	R.T.D MODULE
DS 2903	mA MODULE (DC Current)
DS 2904	DC, mA/DC, V MODULE
DS 2907	2-WIRE POWER DISTRIBUTOR
DS 2908	PULSE MODULE
DS 2910	POTENTION METER MODULE
DS 2920	CT MODULE
DS 2921	PT MODULE