

General Specifications

AC CURRENT TRANSDUCER



This is a high accurate instrument which receives input of alternating current of sinusoidal as input, calculates average -value and converts to DC voltage and current output signal proportional to effective-value of input.

SPECIFICATIONS

ITEMS	DESCRIPTIONS	
INPUT LOSS	Less than 0.5VA	
OVER-INPUT	200% 1 minute	
OUTPUT	DC Current or DC Voltage Signal	
ACCURACY	¼ 0.3% Max.	
TEMP. COEFFICIENT	¼ 0.02% / °C	
LINEARITY	¼ 0.1% F.S	
REPEATABILITY	¼ 0.1% F.S	
RESPONSE TIME	Less than 0.5Sec (0-90%)	
RIPPLE	0.2% F.S	
INSULATION RESISTANCE	Greater than 100MΩ at DC 500V	
DIRECTRIC-STRENGTH	Input-Power AC1,500V	1 minute
	Input-Output AC1,500V	
	Input-Ground AC1,500V	
POWER SUPPLY	AC110V AC220V ¼ 10% 50-60Hz 3.5VA	
AMBIENT-TEMP	-5 ~ + 55°C (20 ~ 130℉)	
HUMIDITY	Less than 90% RH (no condensation)	
LINEARIZER	Standard function	
CASE MATERIAL	ABS	
COLOR	MUNSELL No. 7.5YR 5/2	
WEIGHT	About 500g	
DIMENSION	W50 x H80 x D123mm	
MOUNTING	WALL or DIN Rail	
OUTPUT		
LOAD RESISTANCE	Refer to Attached Technical Sheet.	

ORDERING CODE

MODEL : D P C T - [] [] [] - []

INPUT SIGNAL

- 1 AC 0~1A
- 2 AC 0~5A
- 3 Others

OUTPUT SIGNAL

- 1 DC 0~1mA
- 2 DC 0~10mA
- 3 DC 0~16mA
- 4 DC 0~20mA
- 5 DC 1~5mA
- 6 DC 2~10mA
- 7 DC 4~20mA
- 8 Other Current (Less than 20mA)
- A DC 0~10mV
- B DC 0~100mV
- C DC 0~1V
- D DC 0~10V
- E DC 0~5V
- F DC 1~5V
- G Other Voltage (Less than 12V)

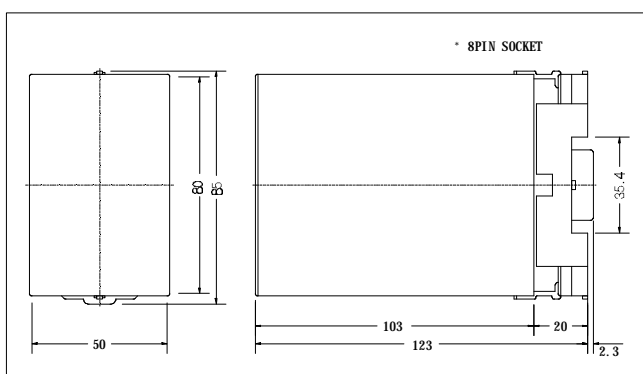
POWER SUPPLY

- 1 AC 110V
- 2 AC 220V
- 3 DC 24V

I/O ISOLATION

- G : General Y : Isolation

DIMENSION



WIRING DIAGRAM

