

# General Specifications

## PULSE DIVIDER



This is a high accurate converter which receives signal of open-collector or dry contact type of flow-meter, etc as input, changes it after removing noise through internal safety circuit.

### SPECIFICATIONS

ITEMS	DESCRIPTIONS
INPUT	Dry Contact, Open Collector, Voltage Pulse
OUTPUT	Relay Contact      Open Collector
OUTPUT RATING	AC100V 1A      DC24V 100mA
ACCURACY	¼ 0.3% Max.
REPEATABILITY	¼ 0.1% F.S
INSULATION RESISTANCE	Greater than 100MΩ at DC 500V
DIELECTRIC-STRENGTH	Input-Power      AC1,500V
	Input-Output      AC1,500V
	Input-Ground      AC1,500V
	1 minute
POWER SUPPLY	AC110V AC220V ¼ 10% 50-60Hz 3.5VA
AMBIENT-TEMP	-5~ +55°C (20~ 130℉ )
HUMIDITY	Less than 90% RH (no condensation)
LINEARIZER	Standard function
CASE MATERIAL	ABS
COLOR	MUNSELL No. 7.5YR 5/2
WEIGHT	About 500g
DIMENSION	W50 x H80 x D123mm
MOUNTING	WALL or DIN Rail
OUTPUT LOAD RESISTANCE	Refer to Attached Technical Sheet.

### ORDERING CODE

MODEL : DPFD - [ ] [ ] [ ] - [ ]

INPUT SIGNAL ————  
 1 Dry Contact  
 2 Open Collector  
 3 Voltage Pulse

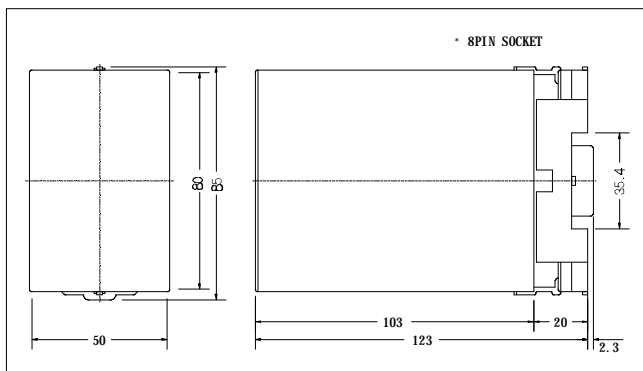
OUTPUT SIGNAL ————  
 1 Relay Contact  
 2 Open Collector

POWER SUPPLY ————  
 1 AC 110V    2 AC 220V    3 DC 24V

I/O ISOLATION ————  
 G : General      Y : Isolation

\* Please Specify the Frequency Range When you Order.

### DIMENSION



### WIRING DIAGRAM

