

General Specifications

HIGH SPEED ISOLATOR



This instrument receives DC voltage and current as input signal and provides conversion output in state that the input & output is separated completely. Especially, input & output has built in photo-coupler and power, input & output have built in 3 way isolation circuit separated by transformer.

This is a high accurate converter which is the most compatible to protection of impulse noise, high peak voltage from isolation with field instrument required of high-speed response and from computer interface, etc.

SPECIFICATIONS

ITEMS	DESCRIPTIONS	
INPUT	DC signal (current input to be combined through the application of precise resistor shunt)	
OUTPUT	DC Current or DC Voltage Signal	
ACCURACY	¼ 0.3% Max.	
TEMP. COEFFICIENT	¼ 0.02% / °C	
LINEARITY	¼ 0.02% F.S	
REPEATABILITY	¼ 0.02% F.S	
RESPONSE TIME	Less than 1msec (0-90%)	
INSULATION RESISTANCE	Greater than 100MΩ at DC 500V	
DIELECTRIC-STRENGTH	Input-Power AC1,500V	
	Input-Output AC1,500V	1 minute
	Input-Ground AC1,500V	
POWER SUPPLY	AC110V AC220V ¼ 10% 50-60Hz 3.5VA	
AMBIENT-TEMP	-5 ~ +55°C (20 ~ 130ℱ)	
HUMIDITY	Less than 90% RH (no condensation)	
LINEARIZER	Standard function	
CASE MATERIAL	ABS	
COLOR	MUNSELL No. 7.5YR 5/2	
WEIGHT	About 500g	
DIMENSION	W50 x H80 x D123mm	
MOUNTING	WALL or DIN Rail	
OUTPUT	Refer to Attached Technical Sheet.	
LOAD RESISTANCE		

ORDERING CODE

MODEL : D P H I - -

INPUT SIGNAL

- | | | |
|------------|-------------|-------------|
| 1 DC 0~1mV | A DC 0~1mA | E DC 1~5mA |
| 2 DC 0~10V | B DC 0~10mA | F DC 2~10mA |
| 3 DC 0~5V | C DC 0~16mA | G DC 4~20mA |
| 4 DC 1~5V | D DC 0~20mA | H Others |

OUTPUT SIGNAL

- 1 DC 0~1mA
 - 2 DC 0~10mA
 - 3 DC 0~16mA
 - 4 DC 0~20mA
 - 5 DC 1~5mA
 - 6 DC 2~10mA
 - 7 DC 4~20mA
 - 8 Other Current (Less than 20mA)
- A DC 0~10mV
B DC 0~100mV
C DC 0~1V
D DC 0~10V
E DC 0~5V
F DC 1~5V
G Other Voltage (Less than 12V)

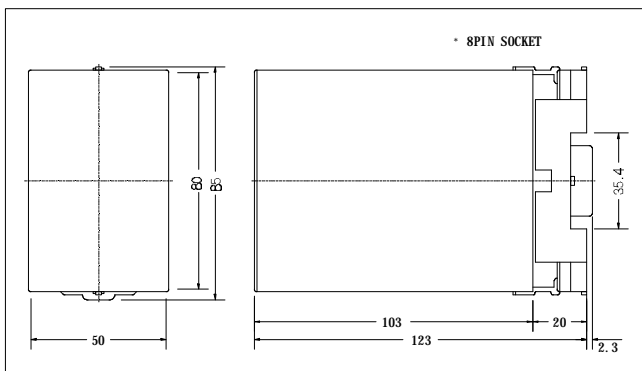
POWER SUPPLY

- 1 AC 110V 2 AC 220V 3 DC 24V

I/O ISOLATION

- G : General Y : Isolation

DIMENSION



WIRING DIAGRAM

