

# General Specifications

## HIGH / LOW SELECTOR



This is a converter which selects, outputs to high input value or low input value between 2 signals compared by internal circuit from input of any 2 signals in alternative amount of all processes (temperature, flow, pressure, level ingredient, etc.). It is used to process control and alternative control.

### SPECIFICATIONS

ITEMS	DESCRIPTIONS
INPUT	DC Voltage (1~5V) or DC Current (4~20mA) Signal
OUTPUT	DC Voltage (1~5V) or DC Current (4~20mA) Signal
NUMBER OF INPUT	2
ACCURACY	1/4 0.2% Max.
TEMP. COEFFICIENT	1/4 0.015% / °C
LINEARITY	1/4 0.2% F.S
REPEATABILITY	1/4 0.2% F.S
RESPONSE TIME	Less than 0.5sec (0-90%)
INSULATION RESISTANCE	Greater than 100MΩ at DC 500V
DIRECTRIC-STRENGTH	Input-Power AC1,500V
	Input-Output AC1,500V
	Input-Ground AC1,500V
	1 minute
POWER SUPPLY	AC110V AC220V 1/4 10% 50-60Hz 3.5VA
AMBIENT-TEMP	-5~+55°C (20~130ℳ)
HUMIDITY	Less than 90% RH (no condensation)
LINEARLZER	Standard function
CASE MATERIAL	ABS
COLOR	MUNSELL No. 7.5YR 5/2
WEIGHT	About 500g
DIMENSION	W50 x H80 x D123mm
MOUNTING	WALL or DIN Rail
OUTPUT	
LOAD RESISTANCE	Refer to Attached Technical Sheet.

### ORDERING CODE

MODEL : D P H L - [ ] [ ] [ ] [ ] - [ ]

SELECTING FUNCTION

- 1 Low Signal
- 2 High Signal

INPUT SIGNAL

- 7 DC 4~20mA
- 8 Other Current (Less than 20mA)
- F DC 1~5V
- G Other Voltage (Less than 12V)

OUTPUT SIGNAL

- 7 DC 4~20mA
- 8 Other Current (Less than 20mA)
- F DC 1~5V
- G Other Voltage (Less than 12V)

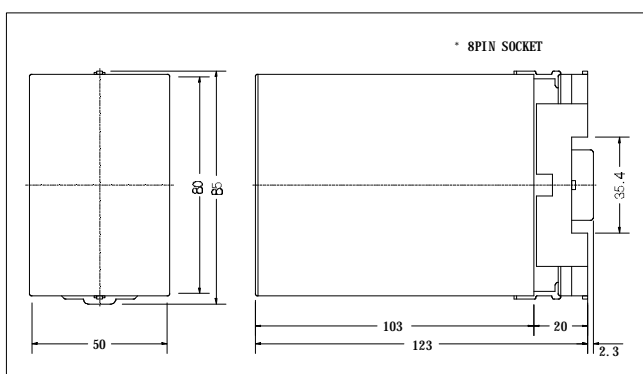
POWER SUPPLY

- 1 AC 110V
- 2 AC 220V
- 3 DC 24V

I/O ISOLATION

- G : General      Y : Isolation

### DIMENSION



### WIRING DIAGRAM

