

General Specifications

HIGH LOW SETTER



This is a converter which receives input of DC voltage and current transmitted from field instrument, regulator, etc and occurs alarm to relay contact output or open-collector output by setting high-limit value & low-limit value. It is used for effective interlock depending on process conditions.

SPECIFICATIONS

ITEMS	DESCRIPTIONS
INPUT	DC signal (Current input to be combined through the application of precise resistor shunt)
OUTPUT	Open Collector Relay Contact
OUTPUT RATING	DC24V 100mA AC120V 1A, AC240V 0.5V, DC30V 1A
INPUT IMPEDANCE	More than 1M Ω
ACCURACY	\pm 0.1% Max.
TEMP. COEFFICIENT	\pm 0.015% / $^{\circ}$ F
SETTING	Therm-Wheel Switch
SETTING RANGE	0~99%
HYSTERESIS	0.5~1.0%
INSULATION RESISTANCE	Greater than 100M Ω at DC 500V
DIRECTRIC-STRENGTH	Input-Power AC1,500V
	Input-Output AC1,500V
	Input-Ground AC1,500V
	1 minute
POWER SUPPLY	AC110V AC220V \pm 10% 50-60Hz 3.5VA
AMBIENT-TEMP	-5~+55 $^{\circ}$ C (20~130 $^{\circ}$ F)
HUMIDITY	Less than 90% RH (no condensation)
LINEARIZER	Standard function
CASE MATERIAL	ABS
COLOR	MUNSELL No. 7.5YR 5/2
WEIGHT	About 500g
DIMENSION	W50 x H80 x D123mm
MOUNTING	WALL or DIN Rail
OUTPUT LOAD RESISTANCE	Refer to Attached Technical Sheet.

ORDERING CODE

MODEL : D P H S - -

INPUT SIGNAL

1 DC 0~10mV	A DC 0~1mA	G DC 4~20mA
2 DC 0~100mV	B DC 0~10mA	H Others
3 DC 0~1V	C DC 0~16mA	
4 DC 0~10V	D DC 0~20mA	
5 DC 0~5V	E DC 1~5mA	
6 DC 1~5V	F DC 2~10mA	

OUTPUT SIGNAL

- Open Collector
- Relay Contact

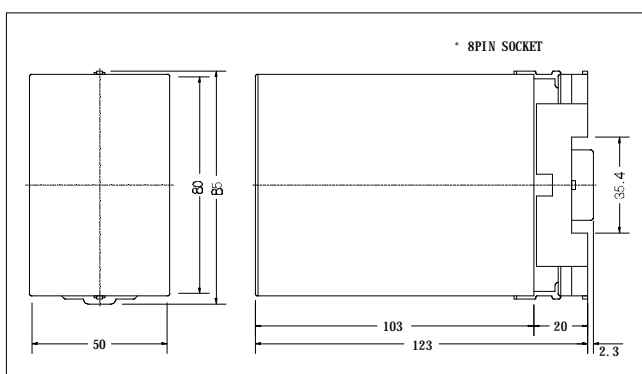
POWER SUPPLY

- AC 110V
- AC 220V
- DC 24V

I/O ISOLATION

G : General Y : Isolation

DIMENSION



WIRING DIAGRAM

