

General Specifications

INTEGRATOR



This instrument linearizes duplicate characteristic as receiving input of signal in flow meter, etc and converts to pulse output through high accurate V/F conversion.

It is a high accurate converter which can use to flow totalizing system in combination with electronics total counter.

SPECIFICATIONS

ITEMS	DESCRIPTIONS
INPUT	DC 4~20mV, DC 1~5V or Others
OUTPUT	Open Collector 0~10 Pulse/Sec 30V DC 50mA max.
	Relay Contact 0~1 Pulse/Sec 120V 0.5A max.
ACCURACY	¼ 0.3% Max.
TEMP. COEFFICIENT	¼ 0.015% / °C
LINEARITY	¼ 0.1% F.S
REPEATABILITY	¼ 0.05% F.S
RESPONSE TIME	Less than 2Sec (0~90%)
INSULATION RESISTANCE	Greater than 100MΩ at DC 500V
DIRECTRIC-STRENGTH	Input-Power AC1,500V
	Input-Ground AC1,500V
	1 minute
POWER SUPPLY	AC110V AC220V ¼ 10% 50-60Hz 3.5VA
AMBIENT-TEMP	-5~+55°C (20~130°F)
HUMIDITY	Less than 90% RH (no condensation)
LINEARIZER	Standard function
CASE MATERIAL	ABS
COLOR	MUNSELL No. 7.5YR 5/2
WEIGHT	About 500g
DIMENSION	W50 x H80 x D123mm
MOUNTING	WALL or DIN Rail
OUTPUT	
LOAD RESISTANCE	Refer to Attached Technical Sheet.

ORDERING CODE

MODEL : DPIN -

FUNCTION

- 1 Square root
- 2 Linearized

INPUT SIGNAL

- 7 DC 4~20mA
- F DC 1~5V
- G Other

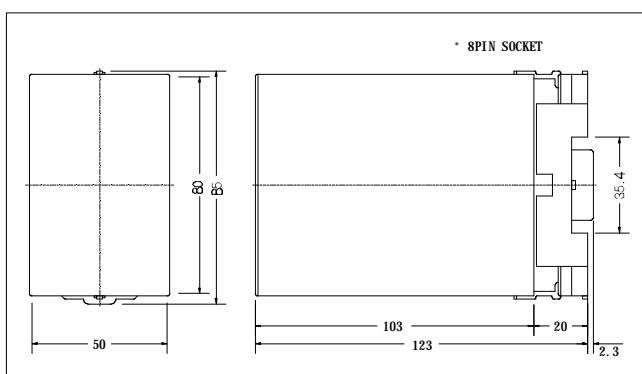
OUTPUT SIGNAL

- 7 Open Collector (0~10 Pulse/Sec)
- F Relay Contact (0~1 Pulse/Sec)

POWER SUPPLY

- 1 AC 110V
- 2 AC 220V
- 3 DC 24V

DIMENSION



WIRING DIAGRAM

