

General Specifications

MULTIPLIER & DIVIDER



This convert is applied to use that needs to multiplication & division of temperature, flow pressure, etc. Especially, it is appropriate as calculator for control loop of temperature, pressure compensation and is usable depending on process conditions on the basis of 2 inputs.

SPECIFICATIONS

ITEMS	DESCRIPTIONS
INPUT	DC Voltage (1~5V) or DC Current (4~20mA) Signal
OUTPUT	DC Voltage (1~5V) or DC Current (4~20mA) Signal
NUMBER OF INPUT	2
ACCURACY	¼ 0.2% Max.
TEMP. COEFFICIENT	¼ 0.015% / ½
LINEARITY	¼ 0.5% F.S
REPEATABILITY	¼ 0.5% F.S
RESPONSE TIME	Less than 0.5sec (0-90%)
INSULATION RESISTANCE	Greater than 100MΩ at DC 500V
DIRECTRIC-STRENGTH	Input-Power AC1,500V
	Input-Output AC1,500V
	Input-Ground AC1,500V
	1 minute
POWER SUPPLY	AC110V AC220V ¼ 10% 50-60Hz 3.5VA
AMBIENT-TEMP	-5~ +55°C (20~ 130µ)
HUMIDITY	Less than 90% RH (no condensation)
LINEARIZER	Standard function
CASE MATERIAL	ABS
COLOR	MUNSELL No. 7.5YR 5/2
WEIGHT	About 500g
DIMENSION	W50 x H80 x D123mm
MOUNTING	WALL or DIN Rail
OUTPUT LOAD RESISTANCE	Refer to Attached Technical Sheet.

ORDERING CODE

MODEL : D P M D - [] [] [] [] - []

FUNCTION

- 1 Multiplier
- 2 Divider

INPUT SIGNAL

- 7 DC 4~20mA
- 8 Other Current (Less than 20mA)
- F DC 1~5V
- G Other Voltage (Less than 12V)

OUTPUT SIGNAL

- 7 DC 4~20mA
- 8 Other Current (Less than 20mA)
- F DC 1~5V
- G Other Voltage (Less than 12V)

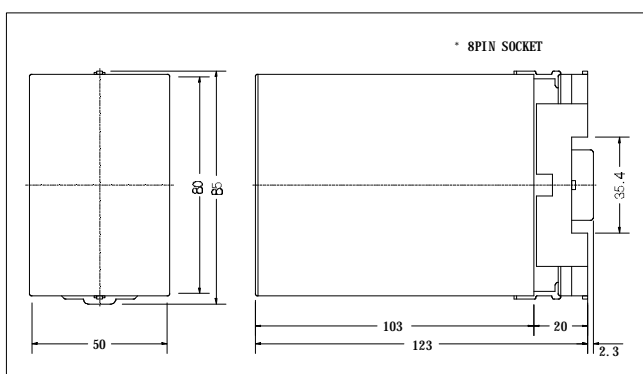
POWER SUPPLY

- 1 AC 110V
- 2 AC 220V
- 3 DC 24V

I/O ISOLATION

- G : General
- Y : Isolation

DIMENSION



WIRING DIAGRAM

