

General Specifications

MANUAL SETTER



This instrument is a manual operator, which performs remote setting by therm-wheel switch and safe control with combined use in the case of no manual function in auto-regulator. It is a high accurate converter that setting output is occurred to DC voltage and current.

SPECIFICATIONS

ITEMS	DESCRIPTIONS
SETTING SIGNAL	DC Current or DC Voltage Signal
SETTING	Digital Switch
SETTING ACCURACY	1/4 1% Max.
TEMP. COEFFICIENT	1/4 0.015% / °C
LINEARITY	1/4 0.5% Max.
REPEATABILITY	1/4 0.5% Max.
INSULATION RESISTANCE	Greater than 100MΩ at DC 500V
DIRECTRIC-STRENGTH	Input-Power AC1,500V
	Input-Ground AC1,500V
	1 minute
POWER SUPPLY	AC110V AC220V 1/4 10% 50-60Hz 3.5VA
AMBIENT-TEMP	-5 ~ +55°C (20 ~ 130℉)
HUMIDITY	Less than 90% RH (no condensation)
LINEARIZER	Standard function
CASE MATERIAL	ABS
COLOR	MUNSELL No. 7.5YR 5/2
WEIGHT	About 500g
DIMENSION	W50 x H80 x D123mm
MOUNTING	WALL or DIN Rail
OUTPUT	
LOAD RESISTANCE	Refer to Attached Technical Sheet.

ORDERING CODE

MODEL : D P M S - [] [] - []

OUTPUT SIGNAL

- 1 DC 0~1mA
- 2 DC 0~10mA
- 3 DC 0~16mA
- 4 DC 0~20mA
- 5 DC 1~5mA
- 6 DC 2~10mA
- 7 DC 4~20mA
- 8 Other Current (Less than 20mA)
- A DC 0~10mV
- B DC 0~100mV
- C DC 0~1V
- D DC 0~10V
- E DC 0~5V
- F DC 1~5V
- G Other Voltage (Less than 12V)

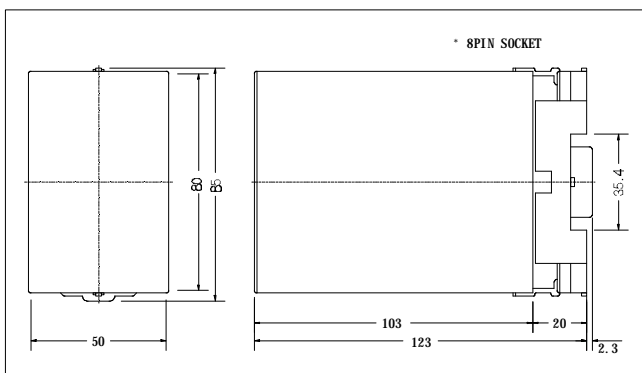
POWER SUPPLY

- 1 AC 110V
- 2 AC 220V
- 3 DC 24V

I/O ISOLATION

- G : General Y : Isolation

DIMENSION



WIRING DIAGRAM

