

General Specifications

OPENING POSITIONING CONVERTER



This is a high accurate converter which converts to DC current and voltage signal as being input of resistance signal (100Ω~100KΩ). It is widely used in motor valve detector, pump stroke detector, etc and adjustment range is wide.

SPECIFICATIONS

ITEMS	DESCRIPTIONS
INPUT	Resistance (from 100Ω to 100KΩ)
OUTPUT	DC Current or DC Voltage Signal
ACCURACY	¼ 0.1% Max.
TEMP. COEFFICIENT	¼ 0.015% / °C
LINEARITY	¼ 0.2% F.S
REPEATABILITY	¼ 0.2% F.S
RESPONSE TIME	Less than 0.5sec (0-90%)
ADJUSTMENT	Span 50 ~ 100%
	Zero 0 ~ 50%
INSULATION RESISTANCE	Greater than 100MΩ at DC 500V
DIELECTRIC-STRENGTH	Input-Power AC1,500V
	Input-Output AC1,500V
	Input-Ground AC1,500V
	1 minute
POWER SUPPLY	AC110V AC220V ¼ 10% 50-60Hz 3.5VA
AMBIENT-TEMP	-5 ~ +55°C (20~130ℱ)
HUMIDITY	Less than 90% RH (no condensation)
LINEARIZER	Standard function
CASE MATERIAL	ABS
COLOR	MUNSELL No. 7.5YR 5/2
WEIGHT	About 500g
DIMENSION	W50 x H80 x D123mm
MOUNTING	WALL or DIN Rail
OUTPUT	
LOAD RESISTANCE	Refer to Attached Technical Sheet.

ORDERING CODE

MODEL : D P O P - - -

INPUT SIGNAL
RESISTANCE (from 100Ω to 100KΩ)

- OUTPUT SIGNAL
- 1 DC 0~1mA
 - 2 DC 0~10mA
 - 3 DC 0~16mA
 - 4 DC 0~20mA
 - 5 DC 1~5mA
 - 6 DC 2~10mA
 - 7 DC 4~20mA
 - 8 Other Current (Less than 20mA)
 - A DC 0~10mV
 - B DC 0~100mV
 - C DC 0~1V
 - D DC 0~10V
 - E DC 0~5V
 - F DC 1~5V
 - G Other Voltage (Less than 12V)

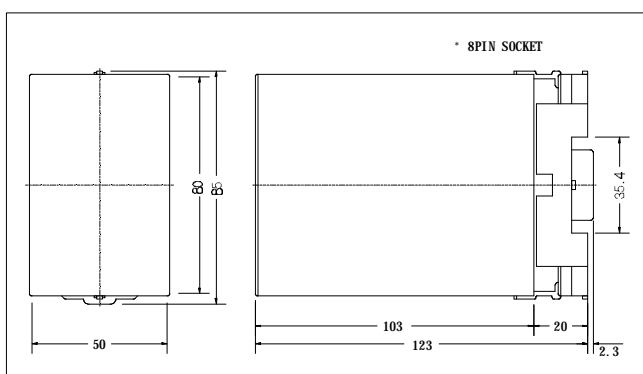
POWER SUPPLY

- 1 AC 110V
- 2 AC 220V
- 3 DC 24V

I/O ISOLATION
G : General Y : Isolation

* Please Specify the Input Resistance When you Order.

DIMENSION



WIRING DIAGRAM

