

General Specifications

PULSE TO ANALOG CONVERTER



This instrument receives many kinds of pulse signal as input and converts output to DC current and voltage corresponding to this input. Input, power are isolated electrically with each other.

SPECIFICATIONS

ITEMS	DESCRIPTIONS	
INPUT	Dry Contact, Open collector, Voltage Pulse	
OUTPUT	DC Current or DC Voltage Signal	
ACCURACY	¼ 0.3% Max.	
TEMP. COEFFICIENT	¼ 0.02% / °F	
LINEARITY	¼ 0.05% F.S	
REPEATABILITY	¼ 0.05% F.S	
INSULATION RESISTANCE	Greater than 100MΩ at DC 500V	
DIELECTRIC-STRENGTH	Input-Power AC1,500V	
	Input-Output AC1,500V	1 minute
	Input-Ground AC1,500V	
POWER SUPPLY	AC110V AC220V ¼ 10% 50-60Hz 3.5VA	
AMBIENT-TEMP	-5 ~ +55°C (20~ 130ℳ)	
HUMIDITY	Less than 90% RH (no condensation)	
LINEARIZER	Standard function	
CASE MATERIAL	ABS	
COLOR	MUNSELL No. 7.5YR 5/2	
WEIGHT	About 500g	
DIMENSION	W50 x H80 x D123mm	
MOUNTING	WALL or DIN Rail	
OUTPUT		
LOAD RESISTANCE	Refer to Attached Technical Sheet.	

ORDERING CODE

MODEL : DP-PA - -

INPUT SIGNAL _____
 1 Dry Contact (Max. 130 pulses/1 minute)
 2 Open Collector (Max. Frequency 10KHz)
 3 Voltage Pulse (Max. Frequency 10KHz)

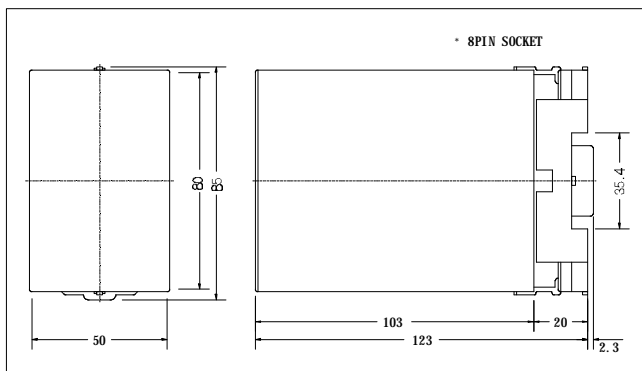
OUTPUT SIGNAL _____
 1 DC 0~ 1mA
 2 DC 0~ 10mA
 3 DC 0~ 16mA
 4 DC 0~ 20mA
 5 DC 1~ 5mA
 6 DC 2~ 10mA
 7 DC 4~ 20mA
 8 Other Current (Less than 20mA)
 A DC 0~ 10mV
 B DC 0~ 100mV
 C DC 0~ 1V
 D DC 0~ 10V
 E DC 0~ 5V
 F DC 1~ 5V
 G Other Voltage (Less than 12V)

POWER SUPPLY _____
 1 AC 110V 2 AC 220V 3 DC 24V

I/O ISOLATION _____
 G : General Y : Isolation

* Please Specify the Frequency Range When you Order.

DIMENSION



WIRING DIAGRAM

