

General Specifications

POTENTIOMETER CONVERTER



This instrument is a high accurate converter which receives resistance signal of 3 lines Potentiometer ($100\Omega \sim 100K\Omega$) as input and converts to DC voltage and current output signal. Especially, it is widely used for float type water level detector, etc and has hardly mutual interference.

SPECIFICATIONS

ITEMS	DESCRIPTIONS
INPUT	Potentiometer (from 100Ω to $100K\Omega$)
OUTPUT	DC Current or DC Voltage Signal
ACCURACY	$\frac{1}{4}$ 0.1% Max.
TEMP. COEFFICIENT	$\frac{1}{4}$ 0.015% / $^{\circ}C$
LINEARITY	$\frac{1}{4}$ 0.02% F.S
REPEATABILITY	$\frac{1}{4}$ 0.02% F.S
RESPONSE TIME	Less than 0.5sec (0-90%)
INSULATION RESISTANCE	Greater than $100M\Omega$ at DC 500V
DIRECTRIC-STRENGTH	Input-Power AC1,500V
	Input-Output AC1,500V
	Input-Ground AC1,500V
	1 minute
POWER SUPPLY	AC110V AC220V $\frac{1}{4}$ 10% 50-60Hz 3.5VA
AMBIENT-TEMP	-5~ + 55 $^{\circ}C$ (20~ 130 μ)
HUMIDITY	Less than 90% RH (no condensation)
LINEARIZER	Standard function
CASE MATERIAL	ABS
COLOR	MUNSELL No. 7.5YR 5/2
WEIGHT	About 500g
DIMENSION	W50 x H80 x D123mm
MOUNTING	WALL or DIN Rail
OUTPUT	
LOAD RESISTANCE	Refer to Attached Technical Sheet.

ORDERING CODE

MODEL : D P P C - - -

INPUT SIGNAL
POTENTIOMETER
(Total resistance $100\Omega \sim 100K\Omega$)

OUTPUT SIGNAL

- 1 DC 0~ 1mA
- 2 DC 0~ 10mA
- 3 DC 0~ 16mA
- 4 DC 0~ 20mA
- 5 DC 1~ 5mA
- 6 DC 2~ 10mA
- 7 DC 4~ 20mA
- 8 Other Current (Less than 20mA)
- A DC 0~ 10mV
- B DC 0~ 100mV
- C DC 0~ 1V
- D DC 0~ 10V
- E DC 0~ 5V
- F DC 1~ 5V
- G Other Voltage (Less than 12V)

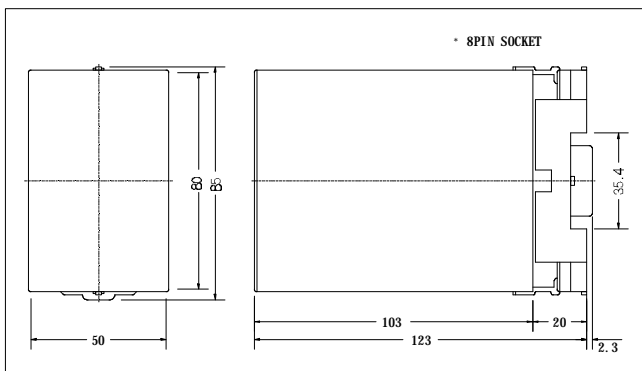
POWER SUPPLY

- 1 AC 110V
- 2 AC 220V
- 3 DC 24V

I/O ISOLATION
G : General Y : Isolation

* Please Specify the Input Resistance When you Order.

DIMENSION



WIRING DIAGRAM

