

General Specifications

POWER DISTRIBUTOR

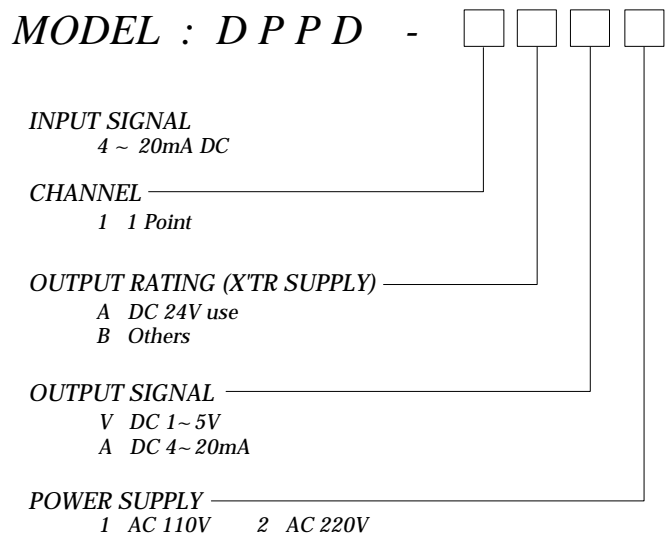


This is a high accurate converter which provides simultaneously power supply and signal conversion to all transmitters such as pressure transmitter, flow transmitter, level transmitter, etc and also contains overcurrent and overvoltage protection circuit inside.

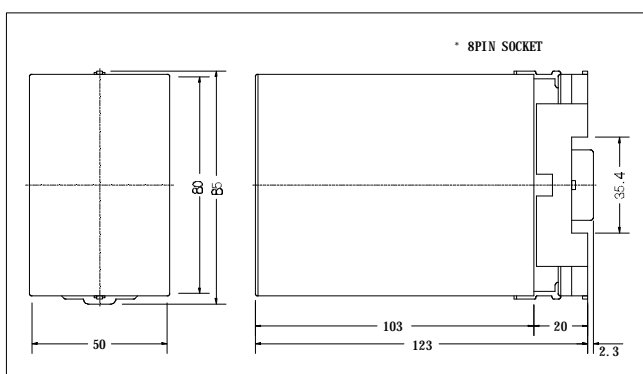
SPECIFICATIONS

ITEMS	DESCRIPTIONS
OUTPUT RATING SUPPLY TO XTR	24V DC (24~28V DC) 22mA Max. (Ripple : Less than 0.1V p-p)
INSULATION RESISTANCE	Greater than 100MΩ at DC 500V
DIRECTRIC-STRENGTH	Input-Power AC1,500V
	Input-Ground AC1,500V
POWER SUPPLY	AC110V AC220V 10% 50-60Hz 3.5VA
AMBIENT-TEMP	-5~+55°C (20~130℉)
HUMIDITY	Less than 90% RH (no condensation)
LINEARIZER	Standard function
CASE MATERIAL	ABS
COLOR	MUNSELL No. 7.5YR 5/2
WEIGHT	About 500g
DIMENSION	W50 x H80 x D123mm
MOUNTING	WALL or DIN Rail
OUTPUT LOAD RESISTANCE	Refer to Attached Technical Sheet.

ORDERING CODE



DIMENSION



WIRING DIAGRAM

