

General Specifications

PULSE ISOLATOR



This instrument converts output in state that the input & output is separated completely as receiving input of contact input or voltage pulse. Especially, the input & output has built in 3 way isolation circuit separated by photo-coupler and power, input & output have built in 3 way isolation circuit separated by transformer. It is a high accurate converter corresponding to protection of impulse noise, high peak voltage required from all instruments and computer interface, etc.

SPECIFICATIONS

ITEMS	DESCRIPTIONS	
INPUT	Dry Contact, Open Collector, Voltage Pulse	
DETECTING CURRENT	5mA (Max. 15V)	
OUTPUT	Relay Contact	Open Collector
OUTPUT RATING	AC100V 1A	DC24V 100mA
RESPONSE TIME	35ms	10ms
INPUT IMPEDANCE	More than 100KΩ	
INSULATION RESISTANCE	Greater than 100MΩ at DC 500V	
DIELECTRIC-STRENGTH	Input-Power	AC1,500V
	Input-Output	AC1,500V
	Input-Ground	AC1,500V
	1 minute	
POWER SUPPLY	AC110V AC220V ¼ 10% 50-60Hz 3.5VA	
AMBIENT-TEMP	-5 ~ +55°C (20~130℉)	
HUMIDITY	Less than 90% RH (no condensation)	
LINEARIZER	Standard function	
CASE MATERIAL	ABS	
COLOR	MUNSELL No. 7.5YR 5/2	
WEIGHT	About 500g	
DIMENSION	W50 x H80 x D123mm	
MOUNTING	WALL or DIN Rail	
OUTPUT LOAD RESISTANCE	Refer to Attached Technical Sheet.	

ORDERING CODE

MODEL : D P P I - [] [] [] - []

INPUT SIGNAL ————
 1 Dry Contact (Max. 130 pulses/1 minute)
 2 Open Collector (Max. Frequency 10KHz)
 3 Voltage Pulse (Max. Frequency 10KHz)

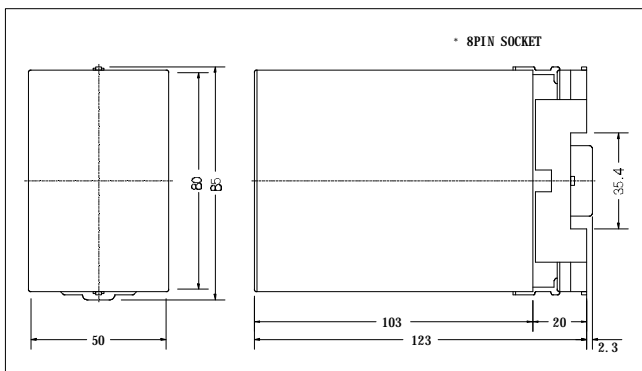
OUTPUT SIGNAL ————
 1 Relay Contact (Max. 130 pulses/1 minute)
 2 Open Collector (Max. Frequency 10KHz)

POWER SUPPLY ————
 1 AC 110V 2 AC 220V 3 DC 24V

I/O ISOLATION ————
 G : General Y : Isolation

* Please Specify the input range When you Order.

DIMENSION



WIRING DIAGRAM

