

General Specifications

POWER DISTRIBUTOR WITH SQUARE ROOT EXTRACTOR



This instrument is a high accurate converter which provides simultaneously power supply and signal conversion to all transmitters such as pressure transmitter, flow transmitter, level transmitter, etc and contains overcurrent and overvoltage protection circuit inside.

It is a high accurate converter which adds calculating function of linearizing, compensating the root scale of current output corresponding to flow characteristic.

SPECIFICATIONS

ITEMS	DESCRIPTIONS					
OUTPUT RATING	DC24V (24~28V DC) 22mA Max.					
SUPPLY TO XTR	(Ripple : Less than 0.1V p-p)					
OUTPUT SIGNAL	Square Root					
ACCURACY	¼ 0.2% Max.					
TEMP. COEFFICIENT	¼ 0.015% / °C					
RESPONSE TIME	Less than 0.5Sec (0~90%)					
INSULATION RESISTANCE	Greater than 100MΩ at DC 500V					
DIRECTRIC-STRENGTH	<table border="1"> <tr> <td>Input-Power</td> <td>AC1,500V</td> <td rowspan="2">1 minute</td> </tr> <tr> <td>Input-Ground</td> <td>AC1,500V</td> </tr> </table>	Input-Power	AC1,500V	1 minute	Input-Ground	AC1,500V
Input-Power	AC1,500V	1 minute				
Input-Ground	AC1,500V					
POWER SUPPLY	AC110V AC220V ¼ 10% 50-60Hz 4VA					
AMBIENT-TEMP	-5~+55°C (20~130°F)					
HUMIDITY	Less than 90% RH (no condensation)					
LINEARIZER	Standard function					
CASE MATERIAL	ABS					
COLOR	MUNSELL No. 7.5YR 5/2					
WEIGHT	About 500g					
DIMENSION	W50 x H80 x D123mm					
MOUNTING	WALL or DIN Rail					
OUTPUT LOAD RESISTANCE	Refer to Attached Technical Sheet.					

ORDERING CODE

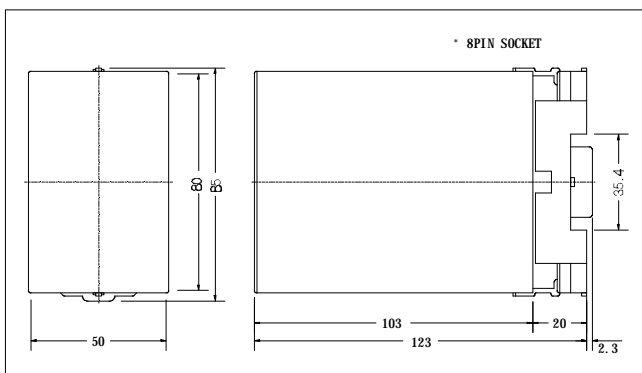
MODEL : D P P Q - [] [] []

INPUT SIGNAL _____
4~20mA DC

OUTPUT SIGNAL _____
7 DC 4~20mA
8 Other Current (Less than 20mA)
F DC 1~5V
G Other Voltage (Less than 12V)

POWER SUPPLY _____
1 AC 110V
2 AC 220V
3 DC 24V

DIMENSION



WIRING DIAGRAM

