

General Specifications

ISOLATED POWER DISTRIBUTOR



This instrument is a high accurate converter which provides simultaneously power supply and signal conversion to all transmitters such as pressure transmitter, flow transmitter, level transmitter, etc and contains overcurrent and overvoltage protection circuit inside. It is isolated between signal transmitted from transmitter and output signal of converter, not necessary to use extra isolator when loop constructing.

SPECIFICATIONS

ITEMS	DESCRIPTIONS	
OUTPUT RATING SUPPLY TO XTR	DC24V (24~28V DC) 22mA Max. (Ripple : Less than 0.1V p-p)	
ACCURACY	¼ 0.1% Max.	
TEMP. COEFFICIENT	¼ 0.015% / °F	
RESPONSE TIME	Less than 0.5Sec (0~90%)	
INSULATION RESISTANCE	Greater than 100MΩ at DC 500V	
DIELECTRIC-STRENGTH	Input-Power AC1,500V	1 minute
	Input-Output AC1,500V	
	Input-Ground AC1,500V	
POWER SUPPLY	AC110V AC220V ¼ 10% 50-60Hz 4VA	
AMBIENT-TEMP	-5~+55°C (20~130°F)	
HUMIDITY	Less than 90% RH (no condensation)	
LINEARIZER	Standard function	
CASE MATERIAL	ABS	
COLOR	MUNSELL No. 7.5YR 5/2	
WEIGHT	About 500g	
DIMENSION	W50 x H80 x D123mm	
MOUNTING	WALL or DIN Rail	
OUTPUT LOAD RESISTANCE	Refer to Attached Technical Sheet.	

ORDERING CODE

MODEL : DP-PPS - [] [] []

INPUT SIGNAL

- 1 DC 4~20mA 2-wire
- 2 DC 4~20mA 3-wire
- 3 DC 1~5V 3-wire

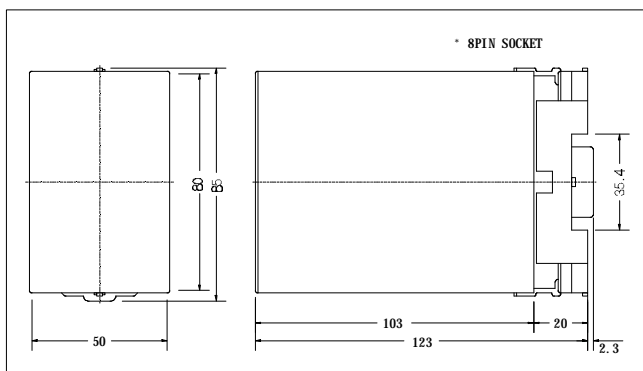
OUTPUT SIGNAL

- 1 DC 0~1mA
- 2 DC 0~10mA
- 3 DC 0~16mA
- 4 DC 0~20mA
- 5 DC 1~5mA
- 6 DC 2~10mA
- 7 DC 4~20mA
- 8 Other Current (Less than 20mA)
- A DC 0~10mV
- B DC 0~100mV
- C DC 0~1V
- D DC 0~10V
- E DC 0~5V
- F DC 1~5V
- G Other Voltage (Less than 12V)

POWER SUPPLY

- 1 AC 110V
- 2 AC 220V

DIMENSION



WIRING DIAGRAM

