

General Specifications

SIGNAL LIMITTER



This converter is possible to limit output range to high/low limit 0-99% as being input of DC voltage and current output signal. It is possible to set step 1% by digital switch and is used in limit control system in combination with output signal of main controller.

SPECIFICATIONS

ITEMS	DESCRIPTIONS
INPUT	DC signal (Current input to be combined through the application of precise resistor shunt)
OUTPUT	DC Current or DC Voltage Signal
ACCURACY	¼ 0.1% Max.
TEMP. COEFFICIENT	¼ 0.015% / °C
LINEARITY	¼ 0.05% F.S
REPEATABILITY	¼ 0.05% F.S
RESPONSE TIME	Less than 0.5Sec (0-90%)
INSULATION RESISTANCE	Greater than 100MΩ at DC 500V
DIRECTRIC-STRENGTH	Input-Power AC1,500V
	Input-Output AC1,500V
	Input-Ground AC1,500V
	1 minute
POWER SUPPLY	AC110V AC220V ¼ 10% 50-60Hz 3.5VA
AMBIENT-TEMP	-5~ +55°C (20~ 130µ)
HUMIDITY	Less than 90% RH (no condensation)
LINEARLIZER	Standard function
CASE MATERIAL	ABS
COLOR	MUNSELL No. 7.5YR 5/2
WEIGHT	About 500g
DIMENSION	W50 x H80 x D123mm
MOUNTING	WALL or DIN Rail
OUTPUT	
LOAD RESISTANCE	Refer to Attached Technical Sheet.

ORDERING CODE

MODEL : D P S L - [] [] [] - []

INPUT SIGNAL

1 DC 0~10mV	A DC 0~1mA	G DC 4~20mA
2 DC 0~100mV	B DC 0~10mA	H Others
3 DC 0~1V	C DC 0~16mA	
4 DC 0~10V	D DC 0~20mA	
5 DC 0~5V	E DC 1~5mA	
6 DC 1~5V	F DC 2~10mA	

OUTPUT SIGNAL

1 DC 0~1mA
2 DC 0~10mA
3 DC 0~16mA
4 DC 0~20mA
5 DC 1~5mA
6 DC 2~10mA
7 DC 4~20mA
8 Other Current (Less than 20mA)
A DC 0~10mV
B DC 0~100mV
C DC 0~1V
D DC 0~10V
E DC 0~5V
F DC 1~5V
G Other Voltage (Less than 12V)

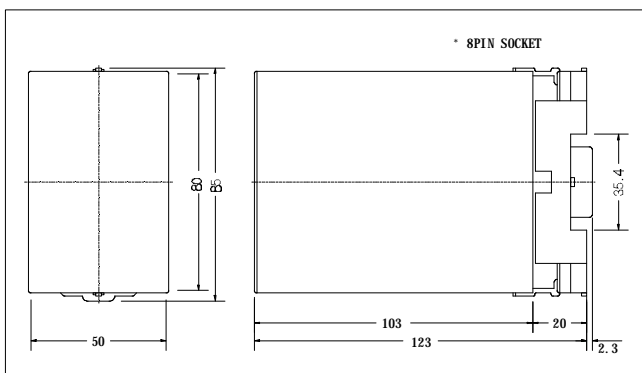
POWER SUPPLY

1 AC 110V	2 AC 220V	3 DC 24V
-----------	-----------	----------

I/O ISOLATION

G : General Y : Isolation

DIMENSION



WIRING DIAGRAM

