

General Specifications

THERMOCOUPLE CONVERTER



This instrument is a high accurate converter which receives signal corresponding to temperature as receiving input of each kind of T/C and converts to DC voltage and current output signal through temperature compensation and linearizer circuit. Input, output, power have built in separated isolation circuit.

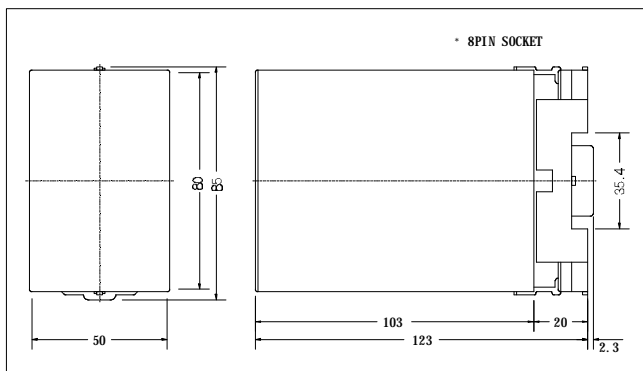
SPECIFICATIONS

ITEMS	DESCRIPTIONS		
INPUT	Thermocouple (K, J, T, E, B, R, S)		
OUTPUT	DC Current or DC Voltage Signal		
ACCURACY	¼ 0.3% Max.		
TEMP. COEFFICIENT	¼ 0.02% / ½		
LINEARITY	¼ 0.1% F.S		
REPEATABILITY	¼ 0.05% F.S		
RESPONSE TIME	Less than 0.5sec (0-90%)		
INSULATION RESISTANCE	Greater than 100MΩ at DC 500V		
DIELECTRIC-STRENGTH	Input-Power	AC1,500V	1 minute
	Input-Output	AC1,500V	
	Input-Ground	AC1,500V	
BURN-OUT	Upper Limit		
POWER SUPPLY	AC110V AC220V ¼ 10% 50-60Hz 4VA		
AMBIENT-TEMP	-5~ +55°C (20~ 130ℳ)		
HUMIDITY	Less than 90% RH (no condensation)		
LINEARIZER	Standard function		
CASE MATERIAL	ABS		
COLOR	MUNSELL No. 7.5YR 5/2		
WEIGHT	About 500g		
DIMENSION	W50 x H80 x D123mm		
MOUNTING	WALL or DIN Rail		
OUTPUT LOAD RESISTANCE	Refer to Attached Technical Sheet.		

STANDARD INPUT RANGE (UNIT : ℳ)

INPUT	RANGE
K	-50~ 100, 0~ 300, 0~ 400, 0~ 500, 0~ 600 0~ 800, 0~ 1000, 0~ 1200
J	0~ 200, 0~ 300, 0~ 400, 0~ 800
T	-20~ 80, 0~ 100, 0~ 200
R	600~ 1600

DIMENSION



ORDERING CODE

MODEL : D P T C - [] [] [] - [] []

INPUT SIGNAL ————

- 1 K(CA)
- 2 J(IC)
- 3 T(CC)
- 4 E(CRC)
- 5 B
- 6 S
- 7 R
- 0 Other Thermocouple

OUTPUT SIGNAL ————

- 1 DC 0~ 1mA
- 2 DC 0~ 10mA
- 3 DC 0~ 16mA
- 4 DC 0~ 20mA
- 5 DC 1~ 5mA
- 6 DC 2~ 10mA
- 7 DC 4~ 20mA
- 8 Other Current (Less than 20mA)
- A DC 0~ 10mV
- B DC 0~ 100mV
- C DC 0~ 1V
- D DC 0~ 10V
- E DC 0~ 5V
- F DC 1~ 5V
- G Other Voltage (Less than 12V)

POWER SUPPLY ————

- 1 AC110V
- 2 AC 220V
- 3 DC 24V

I/O ISOLATION ————

G : General Y : Isolation

BURN OUT ————

U : Up scale

* Please Specify the input range When you Order.

WIRING DIAGRAM

