

# General Specifications

## TACHOGENERATOR CONVERTER



This is a high accurate instrument which the value corresponding to R.P.M of tachogenerator converts to DC current and voltage signal as receiving input of output signal by tachogenerator.

### SPECIFICATIONS

ITEMS	DESCRIPTIONS	
INPUT IMPEDANCE	150K $\Omega$ or More	
OUTPUT	DC Current or DC Voltage Signal	
ACCURACY	$\pm$ 0.3% Max.	
TEMP. COEFFICIENT	$\pm$ 0.02% / $^{\circ}$ C	
LINEARITY	$\pm$ 0.1% F.S	
REPEATABILITY	$\pm$ 0.1% F.S	
RESPONSE TIME	Less than 0.2sec (0-90%)	
RIPPLE	0.2% RMS of Span	
INSULATION RESISTANCE	Greater than 100M $\Omega$ at DC 500V	
DIRECTRIC-STRENGTH	Input-Power	AC1,500V
	Input-Output	AC1,500V
	Input-Ground	AC1,500V
	1 minute	
POWER SUPPLY	AC110V AC220V $\pm$ 10% 50-60Hz 3.5VA	
AMBIENT-TEMP	-5~ +55 $^{\circ}$ C (20~ 130 $^{\circ}$ F)	
HUMIDITY	Less than 90% RH (no condensation)	
LINEARIZER	Standard function	
CASE MATERIAL	ABS	
COLOR	MUNSELL No. 7.5YR 5/2	
WEIGHT	About 500g	
DIMENSION	W50 x H80 x D123mm	
MOUNTING	WALL or DIN Rail	
OUTPUT LOAD RESISTANCE	Refer to Attached Technical Sheet.	

### ORDERING CODE

MODEL : D P T G -    -

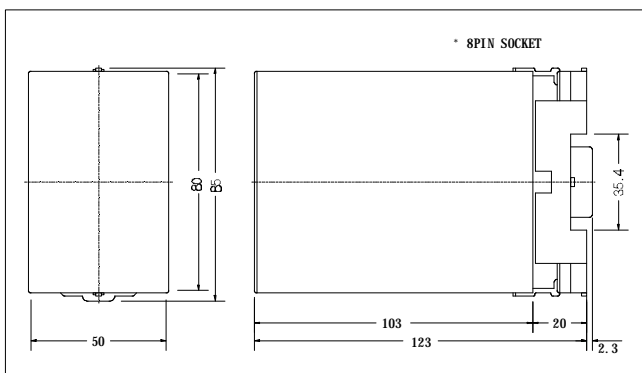
INPUT SIGNAL \_\_\_\_\_  
 1 AC 0~ 35V(100~ 1KHz)  
 2 Specify range (AC 20~ 150V)

OUTPUT SIGNAL \_\_\_\_\_  
 1 DC 0~ 1mA  
 2 DC 0~ 10mA  
 3 DC 0~ 16mA  
 4 DC 0~ 20mA  
 5 DC 1~ 5mA  
 6 DC 2~ 10mA  
 7 DC 4~ 20mA  
 8 Other Current (Less than 20mA)  
 A DC 0~ 10mV  
 B DC 0~ 100mV  
 C DC 0~ 1V  
 D DC 0~ 10V  
 E DC 0~ 5V  
 F DC 1~ 5V  
 G Other Voltage (Less than 12V)

POWER SUPPLY \_\_\_\_\_  
 1 AC 110V    2 AC 220V    3 DC 24V

I/O ISOLATION \_\_\_\_\_  
 G : General    Y : Isolation

### DIMENSION



### WIRING DIAGRAM

