

General Specifications

10-50mA DC OUTPUT TRANSMITTER



This instrument is a high accurate converter receives DC voltage and current output signal as input, converts to 10-50mA DC current signal.

SPECIFICATIONS

ITEMS	DESCRIPTIONS
INPUT	DC Signal
OUTPUT	10-50mA DC
ACCURACY	¼ 0.1% Max.
TEMP. COEFFICIENT	¼ 0.015% / °C
LINEARITY	¼ 0.02% F.S
REPEATABILITY	¼ 0.05% F.S
RESPONSE TIME	Less than 0.5sec (0-90%)
INSULATION RESISTANCE	Greater than 100MΩ at DC 500V
DIELECTRIC-STRENGTH	Input-Power AC1,500V
	Input-Ground AC1,500V
	1 minute
POWER SUPPLY	AC110V AC220V ¼ 10% 50-60Hz 4VA
AMBIENT-TEMP	-5~ +55°C (20~ 130℉)
HUMIDITY	Less than 90% RH (no condensation)
LINEARIZER	Standard function
CASE MATERIAL	ABS
COLOR	MUNSELL No. 7.5YR 5/2
WEIGHT	About 500g
DIMENSION	W50 x H80 x D123mm
MOUNTING	WALL or DIN Rail
OUTPUT LOAD RESISTANCE	Refer to Attached Technical Sheet.

ORDERING CODE

MODEL : D P T R -

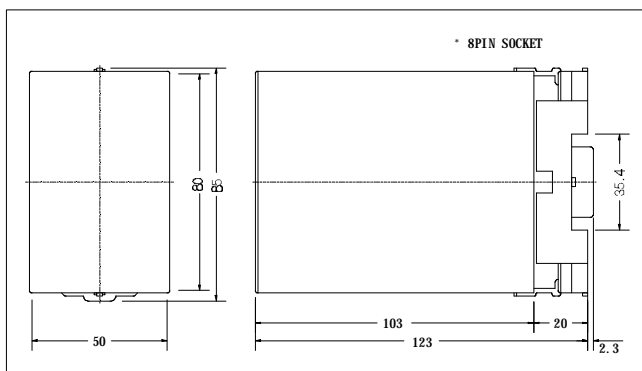
INPUT SIGNAL

- 7 DC 4~20mA
- 8 Other Current (Less than 20mA)
- F DC 1~5V
- G Other Voltage (Less than 12V)

POWER SUPPLY

- 1 AC 110V
- 2 AC 220V
- 3 DC 24V

DIMENSION



WIRING DIAGRAM

