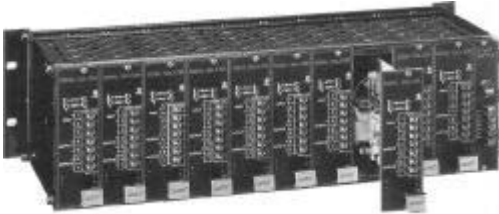


General Specifications

1 & 2 OUT STRAIN GAUGE CONVERTER



This instrument converts to DC current or voltage as receiving signal of load cell or strain gauge into input. It actualizes high accurate performance that residual magnetic voltage selects constant voltage, the amplifier circuit is low noise type.

Especially, it is advantageous to construct loop as that the input & output is separated completely and is isolated between 2 outputs.

SPECIFICATIONS

ITEMS	DESCRIPTIONS	
LOAD CELL TO BE COMBINED	Bridge Resistance 350Ω or more rated output Voltage 2mV/V and others	
APPLIED VOLTAGE	DC 10V (Standard)	
OUTPUT	DC 4~20mA, 0~1V, 0~10V, 0~5V, 1~5V, 0~2V	
ACCURACY	¼ 0.2% Max.	
TEMP. COEFFICIENT	¼ 0.015% / °C	
LINEARITY	¼ 0.02% F.S	
REPEATABILITY	¼ 0.05% F.S	
RESPONSE TIME	Less than 0.5Sec (0-90%)	
INSULATION RESISTANCE	Greater than 100MΩ at DC 500V	
DIELECTRIC-STRENGTH	Input-Power AC 1,500V	1 minute
	Input-1st Out-2nd Out AC 1,500V	
	Input-Ground AC 1,500V	
POWER SUPPLY	AC 110V AC 220V ¼ 10% 50-60Hz 4VA	
AMBIENT-TEMP	-5~ + 55°C (20~ 130°F)	
HUMIDITY	Less than 90% RH (no condensation)	
LINEARIZER	Standard function	
CASE MATERIAL	AL	
COLOR	BLACK	
WEIGHT	About 360g	
DIMENSION	W41 x H128.5 x D173mm	
MOUNTING	19 INCH STD. RACK MOUNTING FRAME (DUR-10G)	
OUTPUT LOAD RESISTANCE	Refer to Attached Technical Sheet.	

ORDERING CODE

MODEL : D U L S - [] [] [] [] - []

EXT. VOLTAGE ————
 7 DC 5V
 F DC 10V
 G Other Voltages

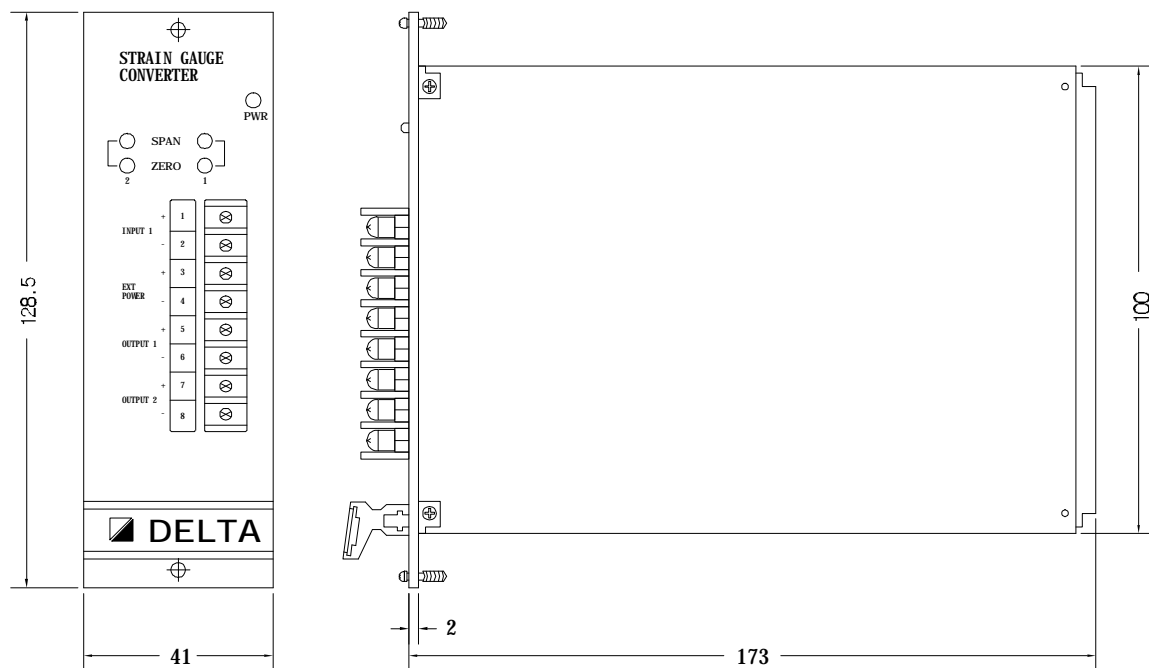
LOAD CELL ————
 1 2mV/V
 2 Others

1ST OUTPUT SIGNAL ————
 7 DC 4~20mA
 F DC 1~5V
 G Others

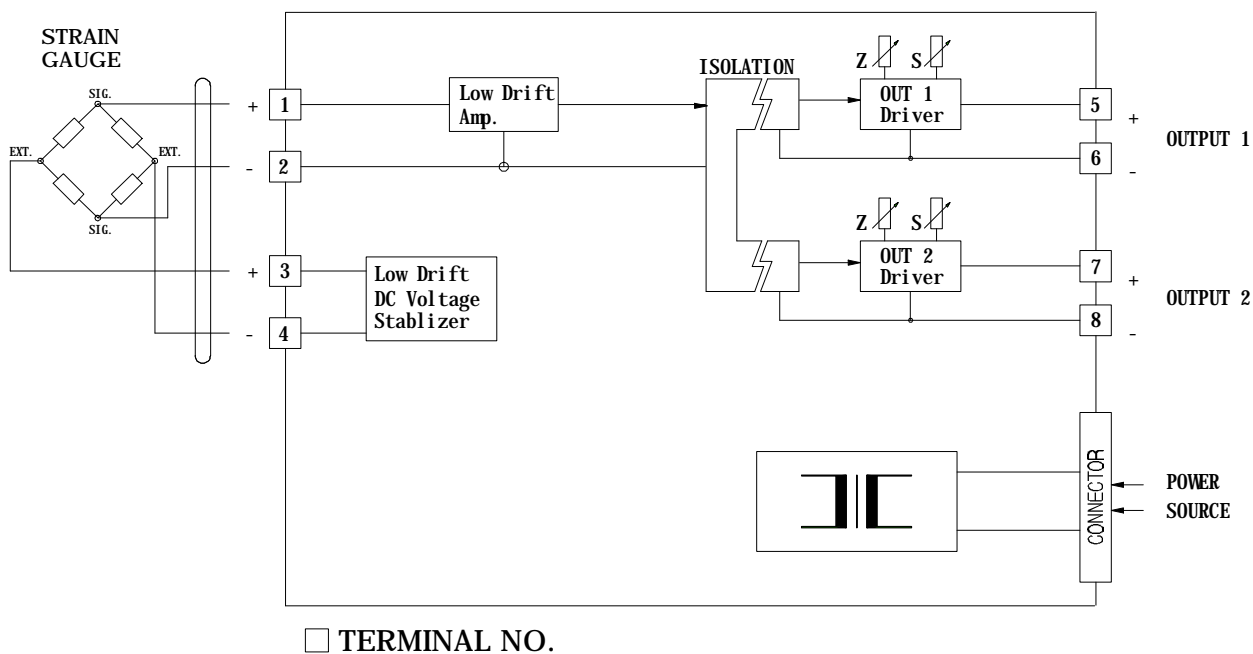
2ND OUTPUT SIGNAL ————
 7 DC 4~20mA
 F DC 1~5V
 G Others
 N None

POWER SUPPLY ————
 1 AC 110V
 2 AC 220V

■ TERMINAL ASSIGNMENT & DIMENSION



■ SCHEMATIC CIRCUITRY & CONNECTION DIAGRAM



Specifications subject to change without notice.