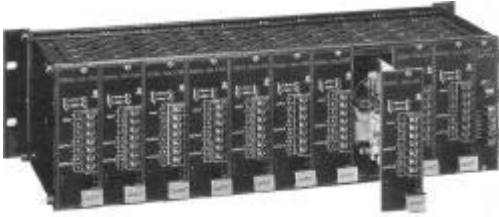


General Specifications

1 & 2 OUT POTENTIOMETER CONVERTER



This instrument is a high accurate converter which receives resistance signal of 3 lines Potentiometer ($100\Omega \sim 100K\Omega$) as input and converts to DC voltage and current output signal. It is widely used for float type water level detector, etc and has hardly mutual interference.

Especially, it is advantageous to construct loop as that the input & output is separated completely and is isolated between 2 outputs.

SPECIFICATIONS

ITEMS	DESCRIPTIONS	
INPUT	Potentiometer (from 100Ω to $100K\Omega$)	
OUTPUT	DC Current or DC Voltage Signal	
ACCURACY	$\pm 0.1\%$ Max.	
TEMP. COEFFICIENT	$\pm 0.015\%$ / $^{\circ}C$	
LINEARITY	$\pm 0.02\%$ F.S	
REPEATABILITY	$\pm 0.02\%$ F.S	
RESPONSE TIME	Less than 0.5Sec (0-90%)	
ADJUSTMENT	Span	50 ~ 100%
	Zero	0 ~ 50 %
INSULATION RESISTANCE	Greater than $100M\Omega$ at DC 500V	
DIELECTRIC-STRENGTH	Input-Power	AC1,500V
	Input-1st Out-2nd Out	AC1,500V
	Input-Ground	AC1,500V
		1 minute
POWER SUPPLY	AC110V AC220V $\pm 10\%$ 50-60Hz 4VA	
AMBIENT-TEMP	$-5 \sim +55^{\circ}C$ (20~130 μ)	
HUMIDITY	Less than 90% RH (no condensation)	
LINEARIZER	Standard function	
CASE MATERIAL	AL	
COLOR	BLACK	
WEIGHT	About 360g	
DIMENSION	W41 x H128.5 x D173mm	
MOUNTING	19 INCH STD. RACK MOUNTING FRAME (DUR-10G)	
OUTPUT LOAD RESISTANCE	Refer to Attached Technical Sheet.	

ORDERING CODE

MODEL : D U P C - - -

INPUT SIGNAL
POTENTIOMETER
(Total resistance $100\Omega \sim 100K\Omega$)

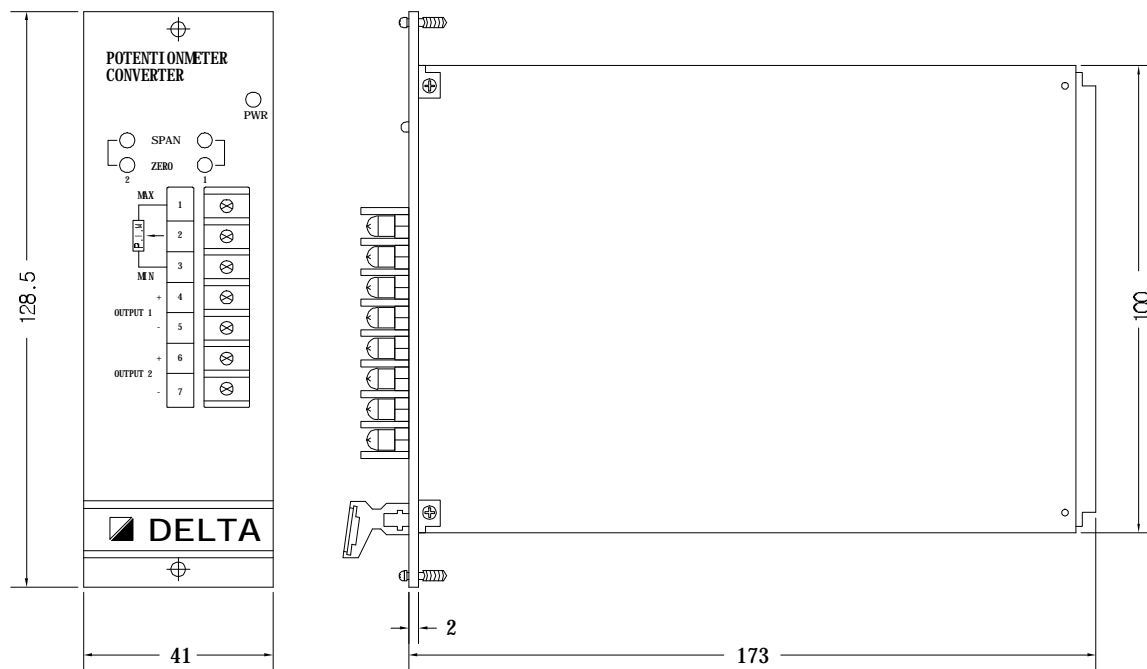
1ST OUTPUT SIGNAL
7 DC 4~20mA
F DC 1~5V
G Others

2ND OUTPUT SIGNAL
7 DC 4~20mA
F DC 1~5V
G Others
N None

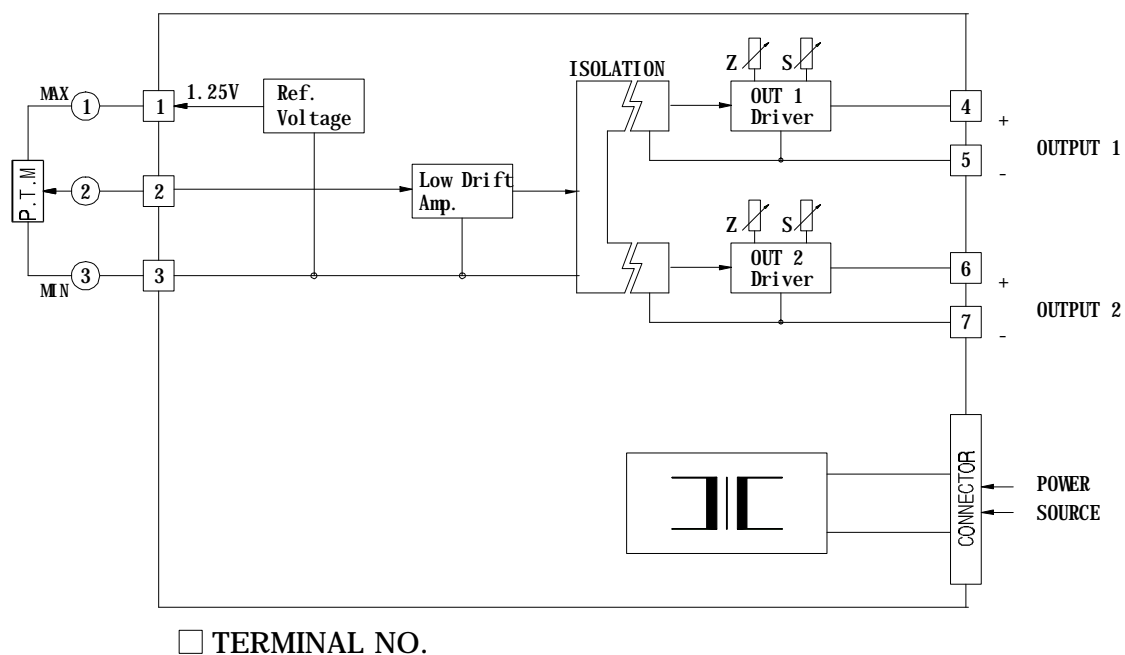
POWER SUPPLY
1 AC110V
2 AC220V

* Please Specify the Input Resistance When you Order.

■ TERMINAL ASSIGNMENT & DIMENSION



■ SCHEMATIC CIRCUITRY & CONNECTION DIAGRAM



Specifications subject to change without notice.