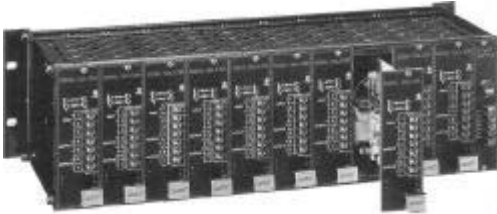


# General Specifications

## 1&2 OUT ISOLATED POWER DISTRIBUTOR



This instrument is a high accurate converter which provides simultaneously power supply and signal conversion to all transmitters such as pressure transmitter, flow transmitter, level transmitter, etc and contains overcurrent and overvoltage protection circuit inside. It is isolated between signal transmitted from transmitter and output signal of converter, not necessary to use extra isolator when loop constructing. Especially, it is advantageous to construct loop as that the input & output is separated completely and is isolated between 2 outputs.

### SPECIFICATIONS

ITEMS	DESCRIPTIONS		
OUTPUT RATING	DC24V (24-28V DC) 22mA Max.		
SUPPLY TO XTR	(Ripple : Less than 0.1Vp-p)		
OUTPUT	DC Current or DC Voltage Signal		
ACCURACY	¼ 0.1% Max.		
TEMP. COEFFICIENT	¼ 0.015% / °C		
LINEARITY	¼ 0.02% F.S		
REPEATABILITY	¼ 0.02% F.S		
RESPONSE TIME	Less than 0.5Sec (0-90%)		
INSULATION RESISTANCE	Greater than 100MΩ at DC 500V		
DIELECTRIC-STRENGTH	Input-Power	AC1,500V	1 minute
	Input-1st Out-2nd Out	AC1,500V	
	Input-Ground	AC1,500V	
POWER SUPPLY	AC110V AC220V ¼ 10% 50-60Hz 4VA		
AMBIENT-TEMP	-5~ +55°C (20~ 130°F )		
HUMIDITY	Less than 90% RH (no condensation)		
LINEARIZER	Standard function		
CASE MATERIAL	AL		
COLOR	BLACK		
WEIGHT	About 360g		
DIMENSION	W41 x H128.5 x D173mm		
MOUNTING	19 INCH STD. RACK MOUNTING FRAME (DUR-10G)		
OUTPUT	Refer to Attached Technical Sheet.		
LOAD RESISTANCE	Refer to Attached Technical Sheet.		

### ORDERING CODE

MODEL : D U P S -

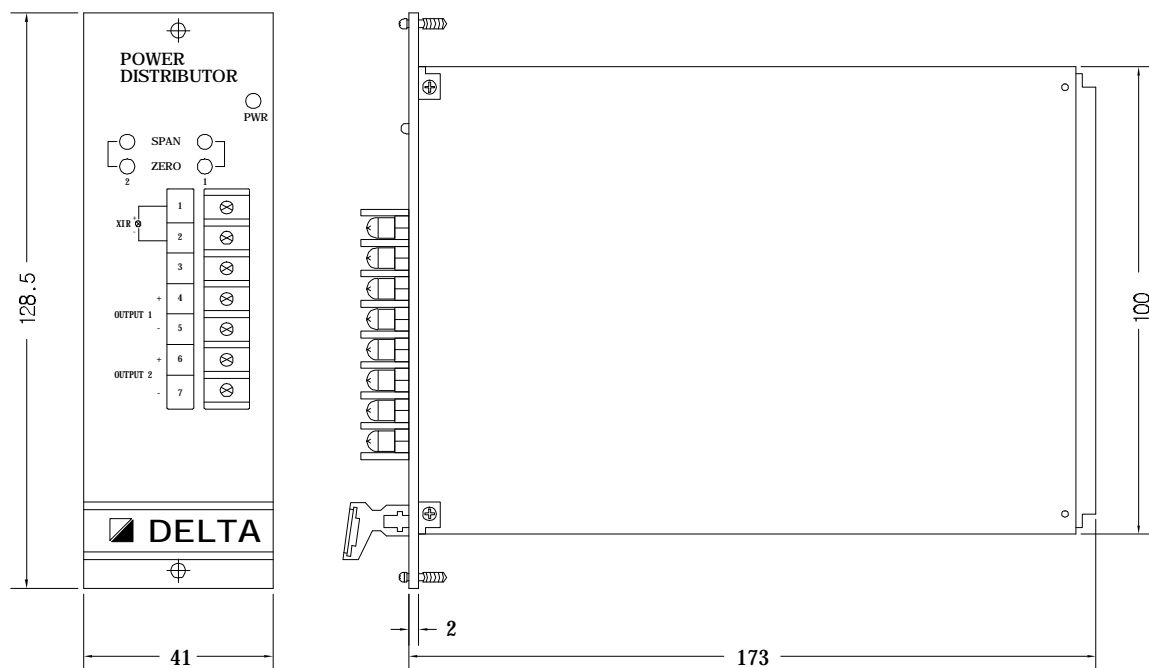
INPUT SIGNAL  
DC 4~ 20mA

1ST OUTPUT SIGNAL ————  
7 DC 4~ 20mA  
F DC 1~ 5V  
G Others

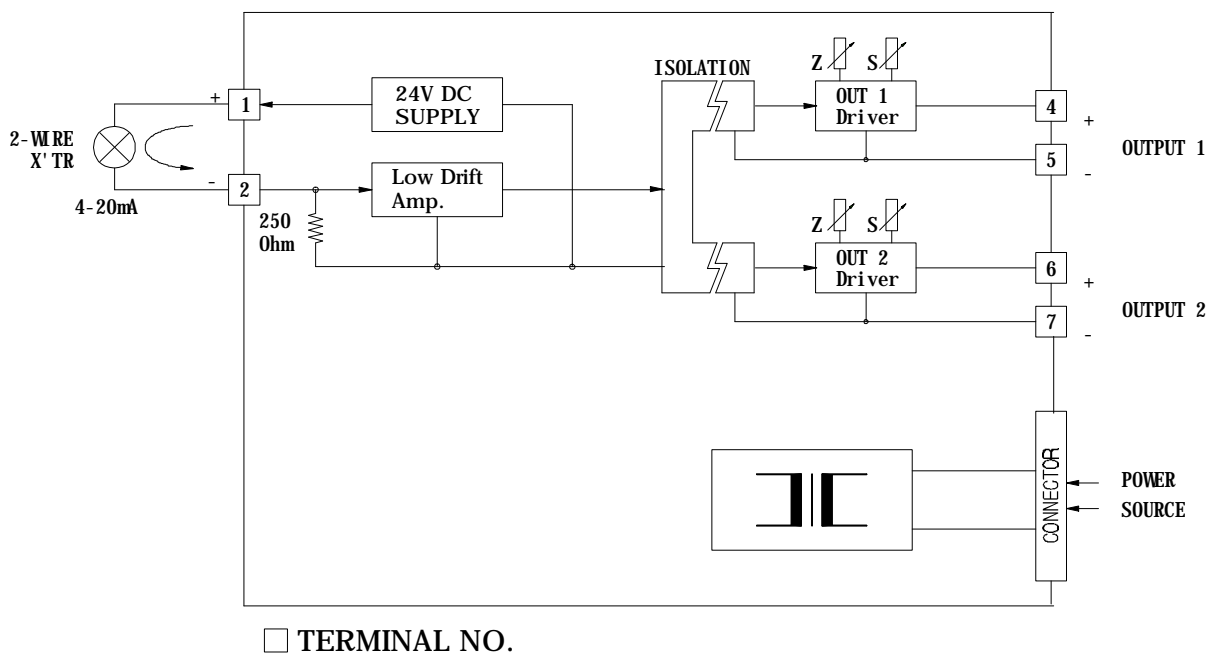
2ND OUTPUT SIGNAL ————  
7 DC 4~ 20mA  
F DC 1~ 5V  
G Others  
N None

POWER SUPPLY ————  
1 AC110V  
2 AC220V

## ■ TERMINAL ASSIGNMENT & DIMENSION



## ■ SCHEMATIC CIRCUITRY & CONNECTION DIAGRAM



Specifications subject to change without notice.