

General Specifications

UNIVERSAL SIGNAL TRANSMITTER MODEL : DZRT



The Model, DZRT universal signal transmitter is a Multi-function a high-performance signal converter with easy key operations.

Our experience and technology in incorporated diversified function into one-chip Microprocessor.

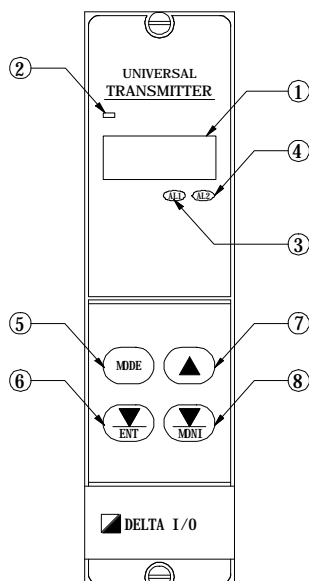
It also has built-in alarm output signal and Input & output range selective are easily obtained by touch key.

The power supply voltage is free-powered.
(90~264V AC)

FEATURE

- Multi input range (T/C, RTD, DC Voltage, DC Current, XTR)
- $\pm 0.1\%$ High accuracy
- Input scaling function (-9.999~ 9.999, -9999~ 9999)
- Output scaling function
- Alarm type selection function (HH-H, H-L, L-LL)
- Reverse output function
- Output isolation-Photo-coupler
- 1 Input-3 Output
- PV bias, Output 1 bias, Output 2 bias function

NAME OF PARTS



- ① ② Measured-value (PV) display unit :
Displays measured-value (PV) and various characters
- ③ AL 1 lamp (Red) : Lights when the AL 1 is turned ON.
- ④ AL 2 lamp (Red) : Lights when the AL 2 is turned ON.
- ⑤ MODE Used for changing each mode status and display.
- ⑥ ENT Used for numeric value change
- ⑦ ▲ Used for numeric value change
(Increase in numeric value)
- ⑧ ▼ MONI Used for numeric value change and display
(Decrease in numeric value)

ORDERING CODE

MODEL	SUFFIX CODE				DETAILS
DZRT -	<input type="checkbox"/>	<input type="checkbox"/>	<input type="checkbox"/>	<input type="checkbox"/>	Universal signal transmitter
Input signal					T/C, RTD, DC Voltage, DC Current, X'TR
Output signal 1 *1	4				0~ 20mA DC
	7				4~ 20mA DC
	C				0~ 1V DC
	D				0~ 10V DC
	E				0~ 5V DC
	F				1~ 5V DC
	N				None
Output signal 2 *2	4				0~ 20mA DC
	7				4~ 20mA DC
	C				0~ 1V DC
	D				0~ 10V DC
	E				0~ 5V DC
	F				1~ 5V DC
	N				None
Output alarm 1 *3			1		None
			2		Relay
Output alarm 2 *4				1	None
				2	Relay
Case dimension					W50 X H96 X D112mm
Power supply					100~ 240V DC

- * 1 High speed response (General used control signal)
- * 2 Low speed response (General used recorder signal)
- * 3 Always available output alarm 1
- * 4 Available output alarm 2 if not used output signal 2

SPECIFICATIONS

Input	Multi Input (T/C, RTD, mV, V, mA, X'TR etc) See INPUT RANGE TABLE on page 35
Input impedance	Thermocouple input group, DC voltage input group : Approx. 1M Ω DC current input group : 250 Ω
RTD sensor current	Approx. 300 μ A
RTD Max. lead resistance	10 Ω or less
Output rating supply to X'TR	DC24V 30mA or less
Burn-out	Specify any of up scale or down scale
Display	-9999 ~ 9999 7 segment LED 4 digit display
Accuracy	\pm 0.1% of Full Scale \pm 1 Digit
Cold junction temperature compensation error	Within \pm 1.0 $^{\circ}$ C (from 0 $^{\circ}$ C to 50 $^{\circ}$ C)
Output signal	See OUTPUT TYPE TABLE : on page 35
Output signal Max. load resistance	DC current output : 600 Ω or less DC voltage output : 1K Ω or more
Output alarm	2-point Relay Contact : 125V AC/0.5A, 30V DC/1A
Memory back up	Backup by EEP-ROM
Insulation resistance	Power and input and output : 100M Ω or more at 500V DC
Dielectric strength	Power and input and output : 1,000V AC for 1 minute
Power supply	Free Voltage 90V~ 264V AC (Rating : 100V~ 240V AC)
Power consumption	10VA or less
Ambient temperature	0~ 50 $^{\circ}$ C
Ambient humidity	45~ 85% RH
Net weight	Approx. 300g
Dimension	W50 X H96 X D112mm

INPUT RANGE TABLE (PG-1)

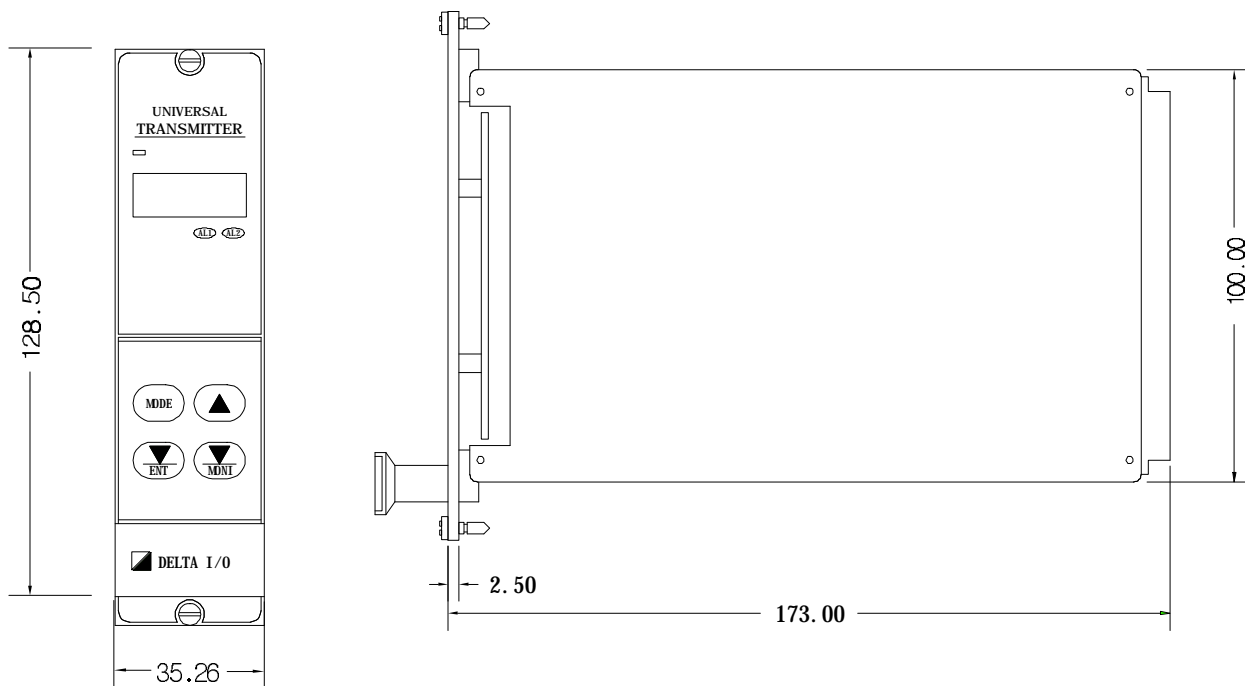
GROUP		INPUT TYPE		INPUT SELECT
Temperature Input	T/C	K(℄)	-199.9 to 999.9 ℄	0
			-200 to 1372 ℄	1
		J(℄)	-199.9 to 999.9 ℄	2
			-200 to 1200 ℄	3
		T(℄)	-199.9 to 400.0 ℄	4
		R(℄)	0 to 1769 ℄	5
		S(℄)	0 to 1769 ℄	6
		B(℄)	0 to 1820 ℄	7
		E(℄)	-200 to 1000 ℄	8
		N(℄)	0 to 1300 ℄	9
		PLII(℄)	0 to 1390 ℄	10
		W5Re/W26Re(℄)	0 to 2320 ℄	11
		U(℄)	0 to 600 ℄	12
		L(℄)	0 to 900 ℄	13
		K(℄)	-199.9 to 999.9 μ	14
			-330 to 2500 μ	15
		J(℄)	-199.9 to 999.9 μ	16
			-330 to 2192 μ	17
		T(℄)	-199.9 to 752.0 μ	18
		R(℄)	0 to 3216 μ	19
		S(℄)	0 to 3216 μ	20
		B(℄) *5	0 to 3308 μ	21
		E(℄)	-330 to 1832 μ	22
		N(℄)	0 to 2372 μ	23
		PLII(℄)	0 to 2534 μ	24
		W5Re/W26Re(℄)	0 to 4208 μ	25
		U(℄)	0 to 1100 μ	26
L(℄)	0 to 1600 μ	27		
RTD	JPt100 Ω	-199.9 to 510.0 ℄	28	
	Pt100 Ω	-199.9 to 660.0 ℄	29	
	JPt100 Ω	-199.9 to 950.0 μ	30	
	Pt100 Ω	-199.9 to 999.9 μ	31	
DC Signal	Voltage Input (Low)	mV,V (℄)	0 to 10mV DC	32
			0 to 100mV DC	33
			0 to 1V DC	34
	Voltage Input (High)	V (℄)	0 to 5V DC	35
			1 to 5V DC	36
			0 to 10V DC	37
Current Input	mA (℄)	0 to 20mA DC	38	
		4 to 20mA DC	39	
XTR(2-wire)	Current Input	mA (℄)	4 to 20mA DC	40

* 5 Accuracy in the range of 0 to 400°C (0 to 800μ) :Not guaranteed

OUTPUT TYPE TABLE (PG-2)

OUTPUT 1st TYPE	OUTPUT 2nd TYPE	OUTPUT 3rd TYPE	OUTPUT TYPE SELECT
A.O 1 (Current)	X	X	1
A.O 1 (Current)	A.O 2 (Current)	X	2
A.O 1 (Voltage)	X	X	3
A.O 1 (Voltage)	A.O 2 (Voltage)	X	4
A.L 1 (Relay)	X	X	5
A.L 1 (Relay)	AL 2 (Relay)	X	6
A.O 1 (Current)	A.O 2 (Voltage)	X	7
A.O 1 (Voltage)	A.O 2 (Current)	X	8
A.O 1 (Current)	AL 1 (Relay)	X	9
A.O 1 (Voltage)	AL 1 (Relay)	X	10
A.O 1 (Current)	A.O 2 (Current)	AL 1 (Relay)	11
A.O 1 (Voltage)	A.O 2 (Voltage)	AL 1 (Relay)	12
A.O 1 (Current)	A.O 2 (Voltage)	AL 1 (Relay)	13
A.O 1 (Voltage)	A.O 2 (Voltage)	AL 1 (Relay)	14
A.O 1 (Current)	AL 1 (Relay)	AL 2 (Relay)	15
A.O 1 (Voltage)	AL 1 (Relay)	AL 2 (Relay)	16

◆ EXTERNAL DIMENSION (mm)



◆ REAR TERMINAL

