



General Information

General Information

HLC-Series

Control Unit



HITROL CO., LTD.

General

This product(HLC-Series) is a unit of leakage current type, and an instrument to be used for level adjustment of water supply tank and water tank for factory, and for control of electrically conductive liquid and powder by combining with measurement sensors (HE, HQ, HR Type).

It's characteristics are : it has a separate internal alarm function besides control function, especially, composition changes of measuring material do not occur by electrolysis since supply voltage of AC 7 V is used for the measurement electrodes, differing that composition changes do occur when using DC power.

Specifications

Type	Leakage AC current
Mounting location	Panel mount
Power supply	AC 110/220 V 60 Hz \pm 10 % Option : DC 24V <Note> Wiring method when using DC 24 V AC terminal : corresponds to 0 V 110 V terminal : corresponds to + 24 V
Capacity of contact point	Maximu AC 250 V 5 A, DC 28 V 1 A
Operating temperature range	-20 ~ + 60
Distance between sensor and unit	Maximum 300 m for cable of 1.25 "

Applications

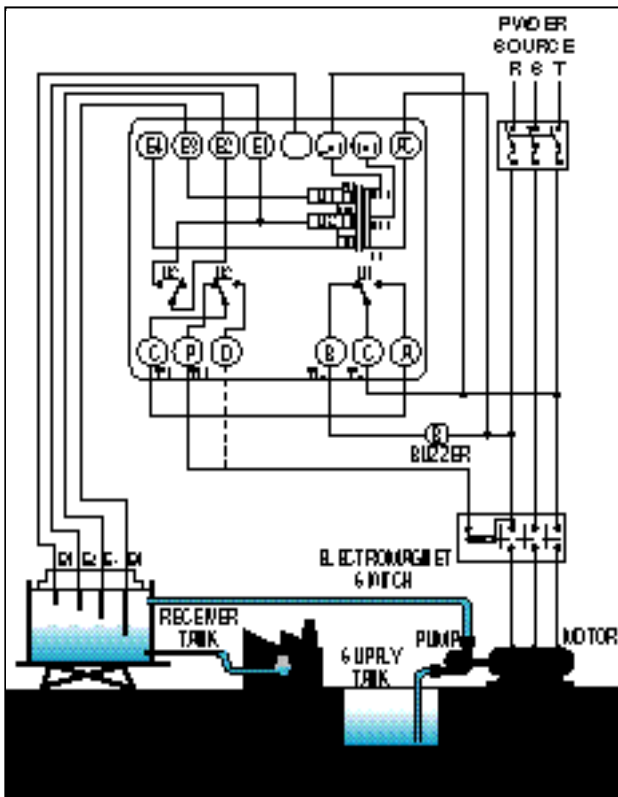
HLC-G1	Control and low level alarm for water supply and distribution. Output of contact point
HLC-G2	Control and high level alarm for water supply and distribution. Output of contact point
HLC-200	Control or Alarm for water supply and distrubtion
HLC-300	Control and low and high level alarm for water supply and distribution. Output of low and high buzzer, and contact point

Applicable Sensor

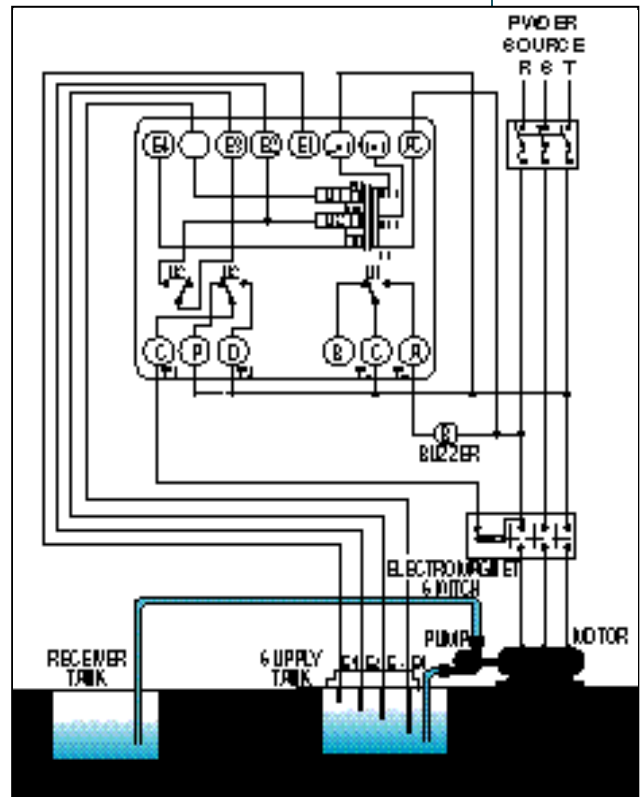
It can be used with HR-series, HE-series and HQ-series.

Connection
Diagram

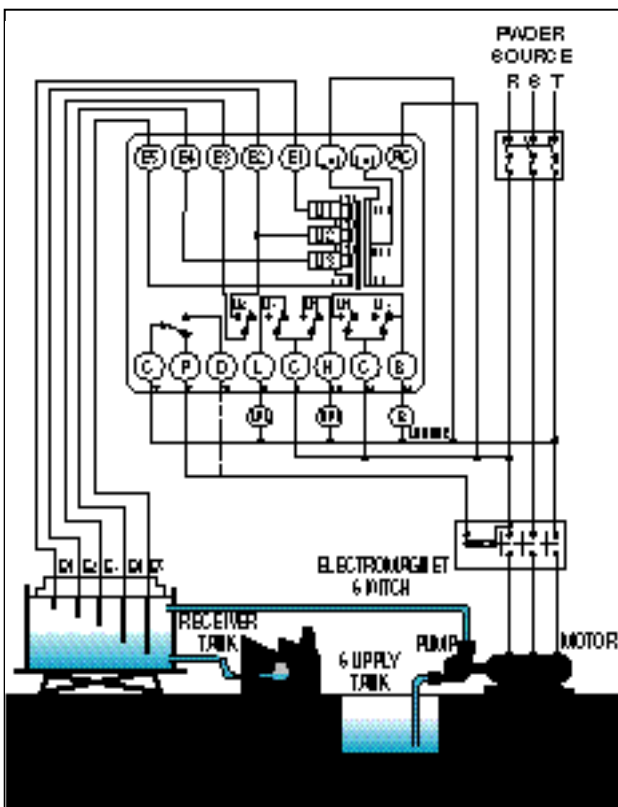
HLC-G1



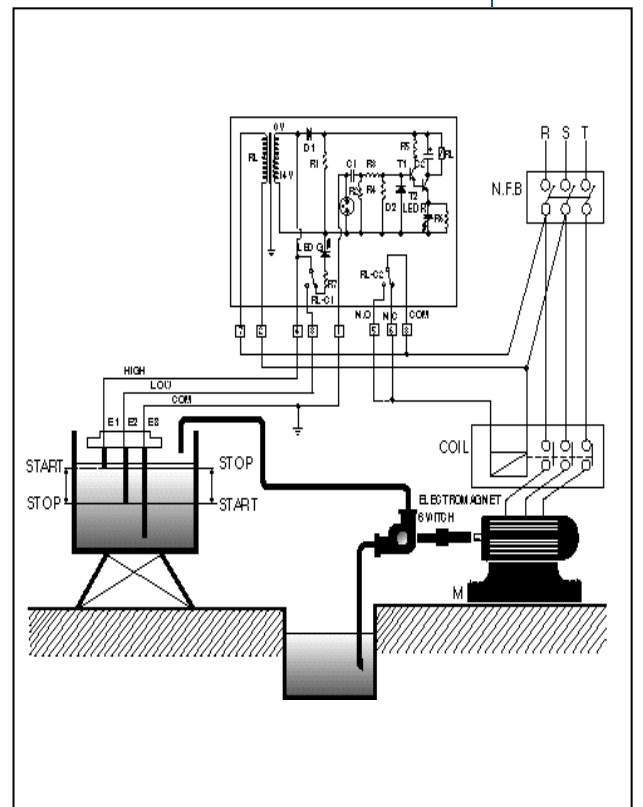
HLC-G2



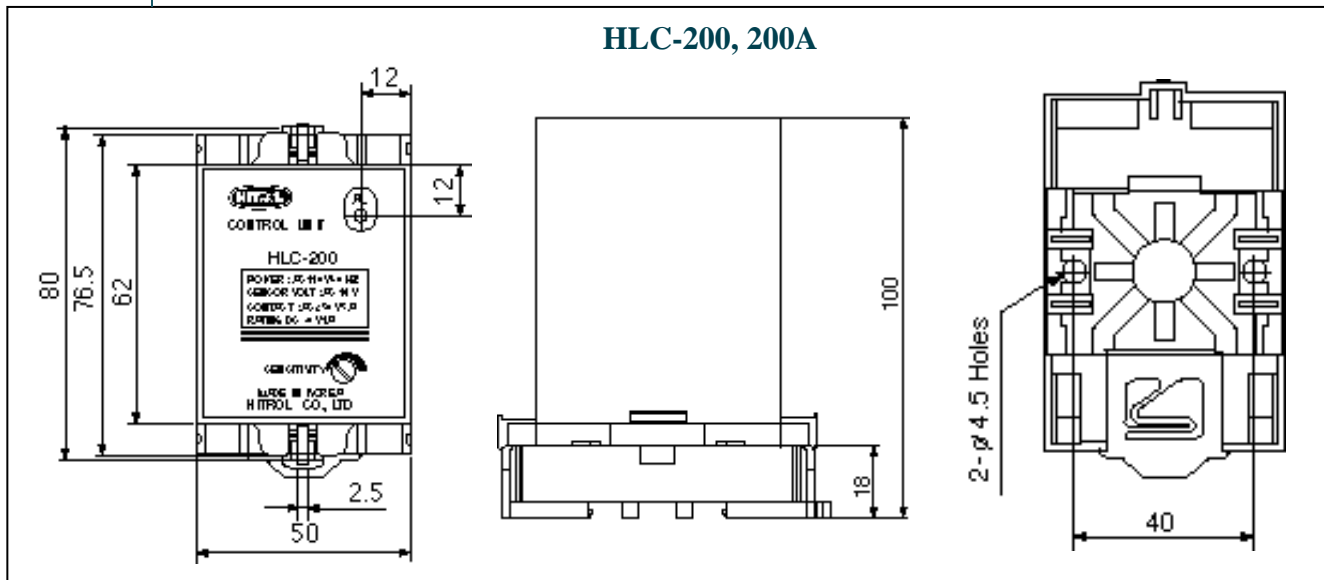
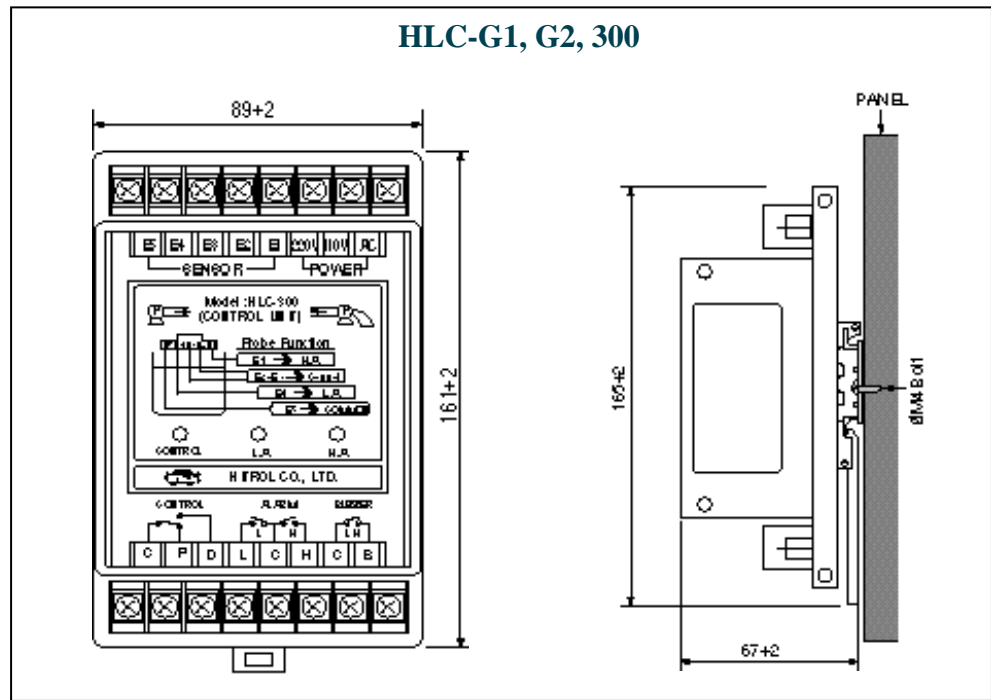
HLC-300



HLC-200



Dimensions



Cautions

If there are build-ups or other materials attached on sensor for a long time use, they should be removed and cleaned periodically.

(Build-ups and attachment of other materials on the sensor are cause of malfunction and error.)

HITROL HITROL CO., LTD.

HEAD OFFICE · FACTORY · R & D INSTITUTE
62-182 BONGILCHEON-RI CHORI-MYUN
PAJU CITY KYUNGGI-DO KOREA
TEL : (031) 943-0875~7
FAX : (031) 943-0878, 5600
<http://www.hitrol.co.kr> hitrol@hitrol.co.kr