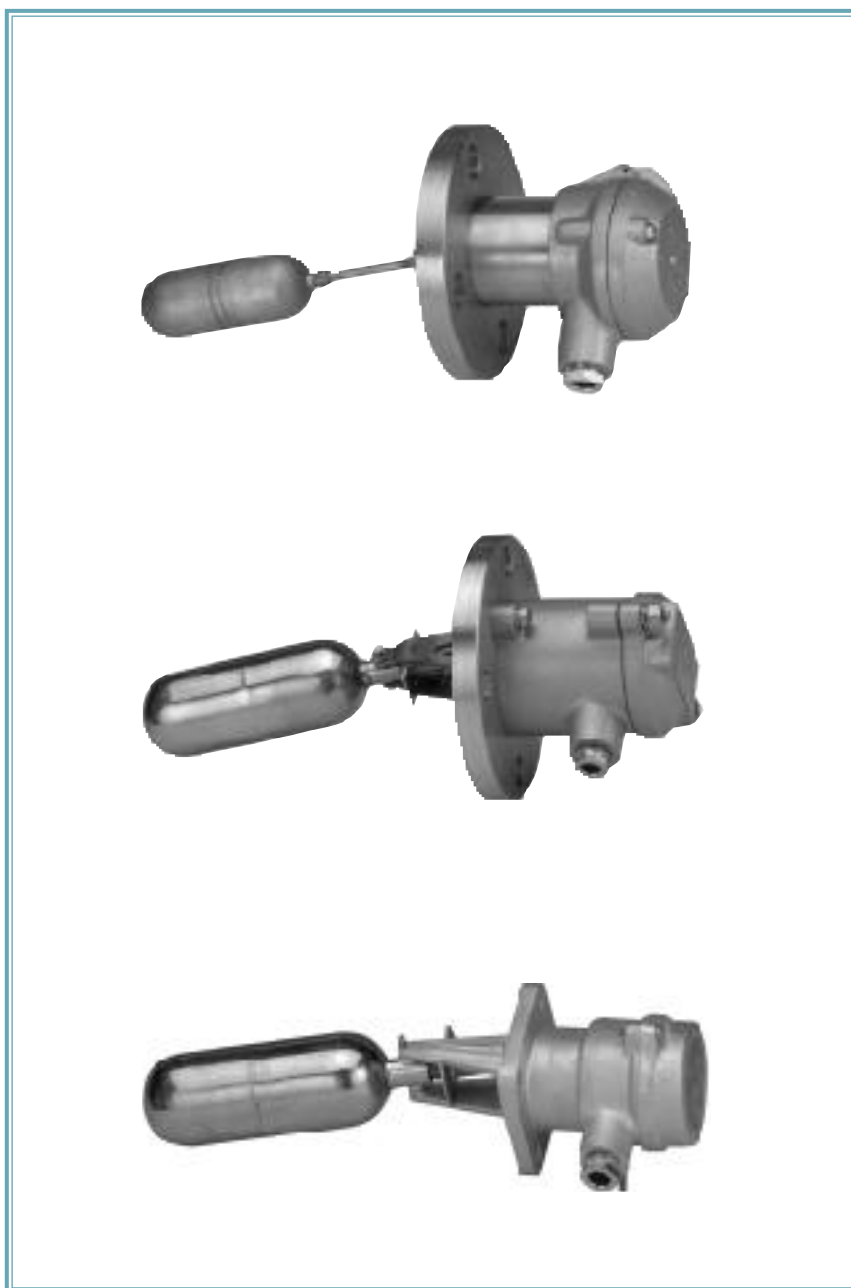


General Information

HM-12(10)Series

Magnetic Float Type
Level Switch



General Information



HITROL CO., LTD.

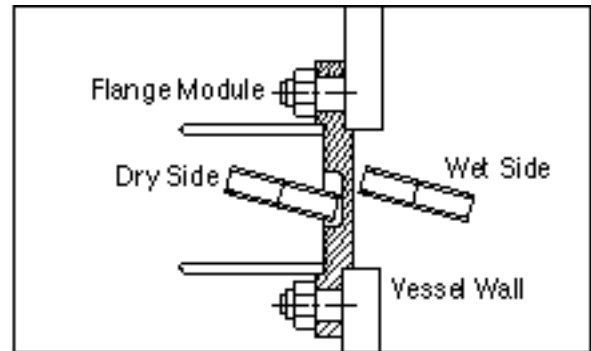
General

Designed for horizontal mounting in a tank or vessel through flanged pipe connections. Standard models are

equipped with a single switch mechanism for high or low alarm or control applications.

Operating Principle

In this design, a float magnet and switch magnet are arranged to repel each other. As the process level rises, the float rises, the float magnet pivots down and the switch magnet is repelled up, thereby changing the state of the electric switch.



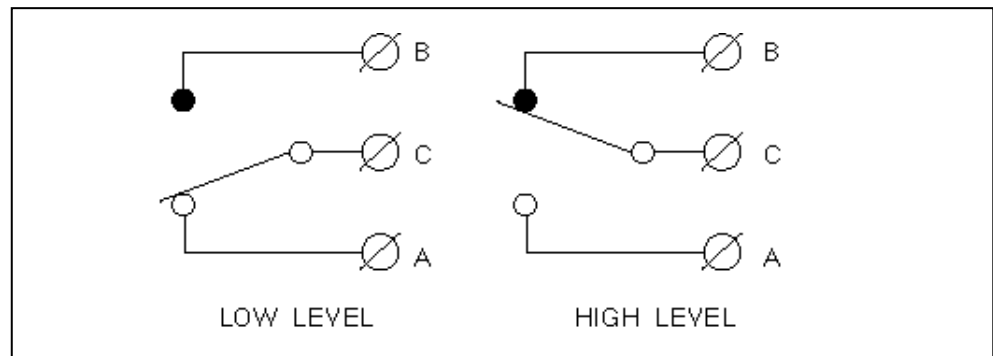
Specifications

Model	HM-12S	HM-12H(E)	HM-12D	HM-10
Mounting Method	Flange			
Mounting Size	JIS 40A 10K RF	JIS 2-1/2 " 10K RF	Square flange 92 x 92	JIS 2 " 10K RF
Working Pressure	STD. : 10 kgf/cm ² Option : 30 kgf/cm ²			
Process Temp.	120	STD. : 120 Option : 250	120	Max. 100
Enclosure	Weather Proof (Option for HM-12H : Ex-Proof Exd IIc T4)			
Conduit Conn.	1/2 "PF			
Material	Head & Base	ALC		Bs
	Flange	SUS 304		Bs
	Float	SUS 304 / SUS 316		

Applications

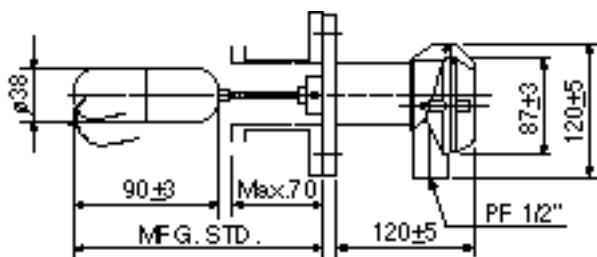
- * Fuel oil tank control
- * Process control for petrochemical plants
- * Water treatment plants
- * Sealing liquid level control for generators
- * Other liquid level controls only

Connection Diagram

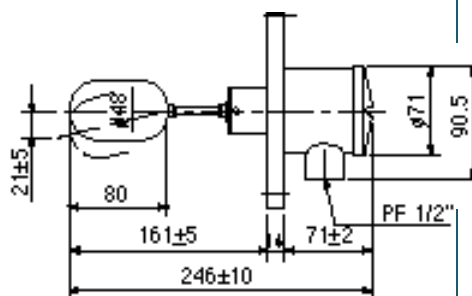


Dimensions

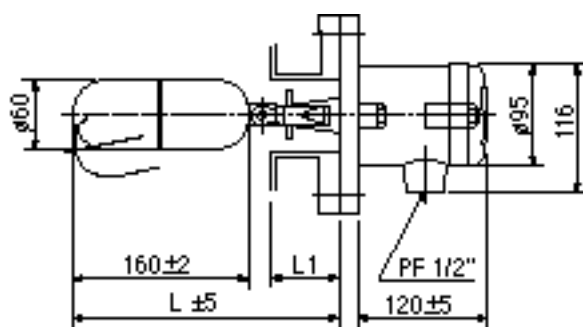
HM-12S



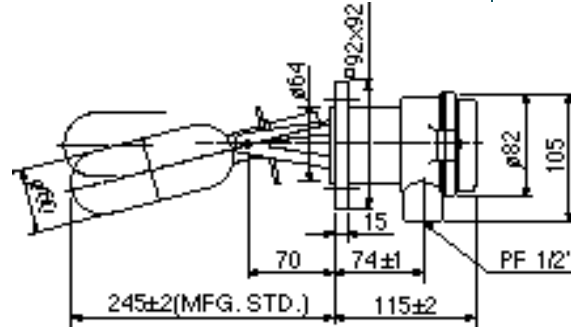
HM-10



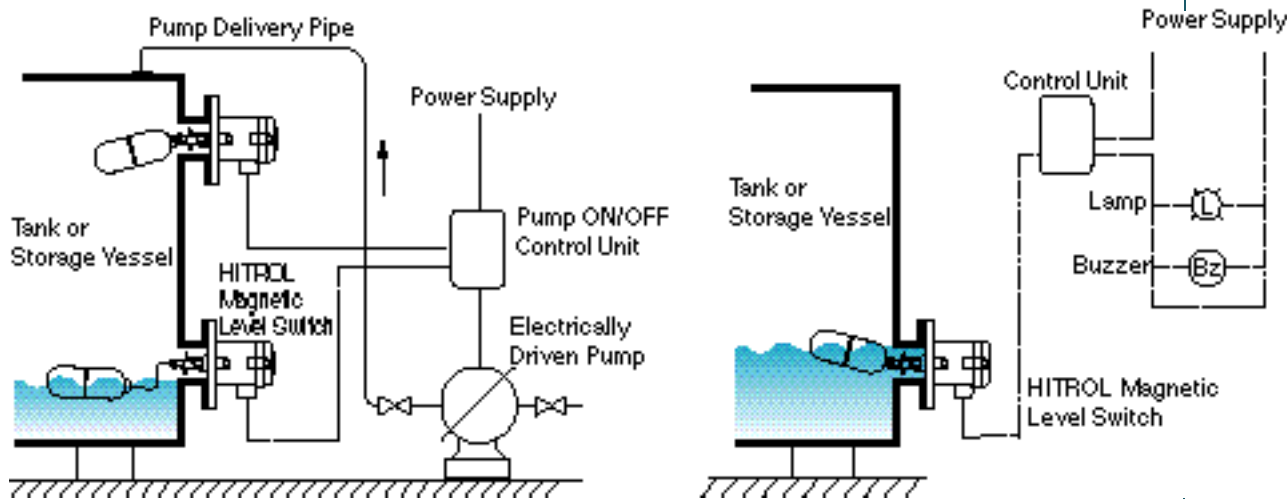
HM-12H



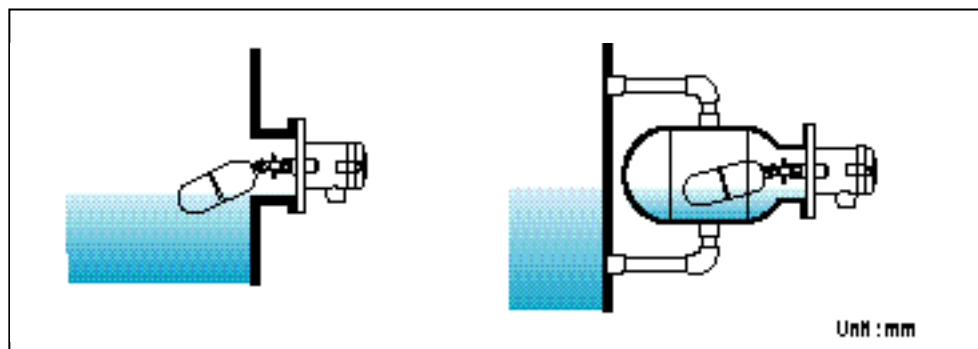
HM-12D



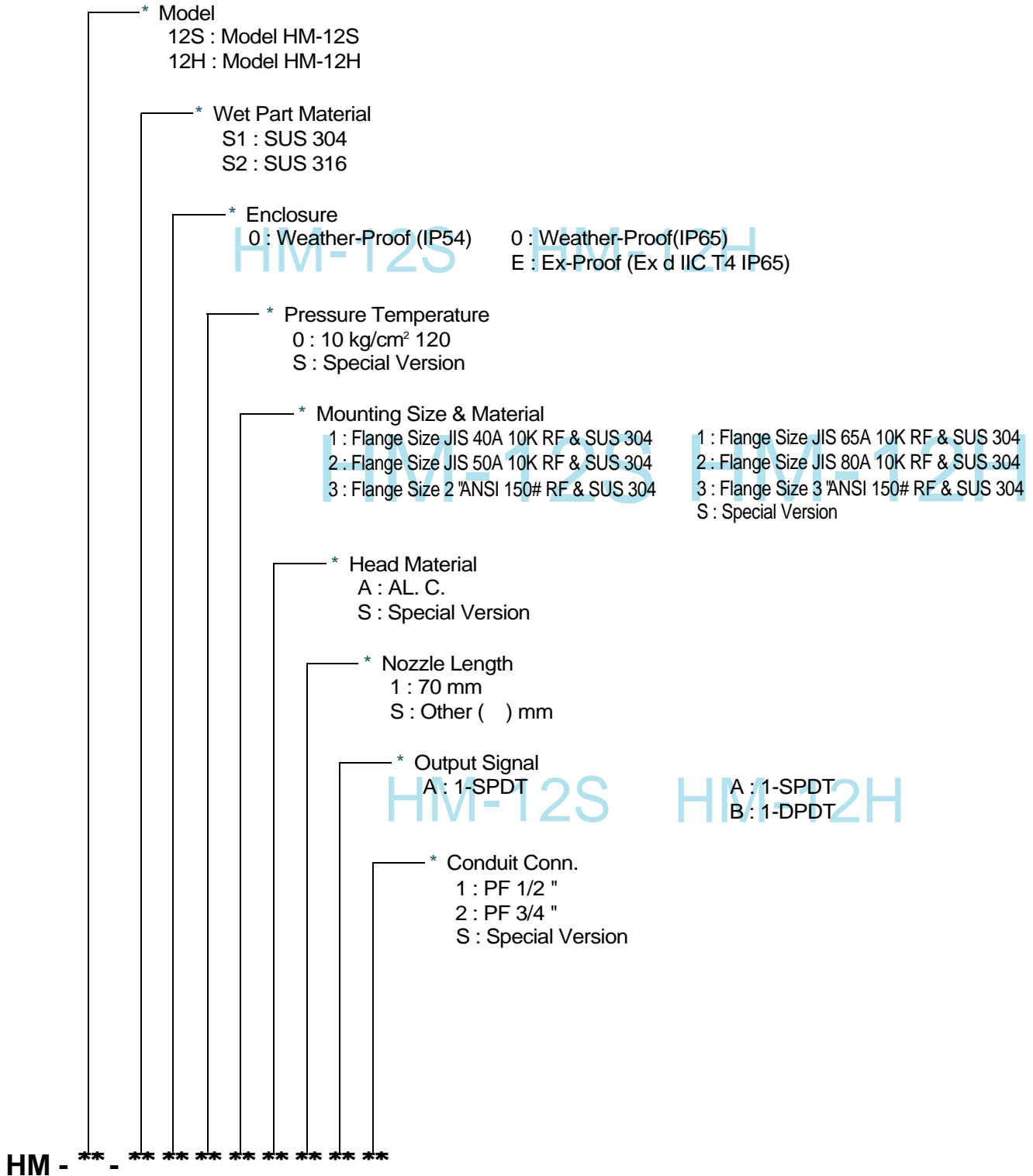
Block Diagram



Installation Method



ORDER CODES



HITROL HITROL CO., LTD.

HEAD OFFICE · FACTORY · R & D INSTITUTE
62-182 BONGILCHEON-RI CHORI-MYUN
PAJU CITY KYUNGGI-DO KOREA
TEL : (031) 943-0875~7
FAX : (031) 943-0878, 5600
<http://www.hitrol.co.kr> hitrol@hitrol.co.kr