

INDUSTRIAL PRESSURE GAUGE MODEL : P220 SERIES

WISE®

SERVICE INTENDED

The P220 Series are suitable for corrosive environment. Typical applications include : chemical, petrochemical, refining, power or marine industry. Its stainless steel case and cover have good appearance and excellent proof to corrosive & chemical attack.

NOMINAL DIAMETER

60, 100 and 150mm

ACCURACY

60mm : $\pm 1.5\%$ of Full Scale
100 and 150mm : $\pm 1.0\%$ of Full Scale

SCALE RANGE

60mm : -76cmHg ~ 0 to 0 ~ 250kgf/cm²
100 and 150mm : -76cmHg ~ 0 to 0 ~ 2000kgf/cm²

WORKING PRESSURE

Steady : 75% of Full Scale
Over Range Protection : 130% of Full Scale

WORKING TEMPERATURE

Ambient : -20 ~ 65°C
Fluid : +200°C maximum

DEGREE OF PROTECTION

IP65



Standard Features

PRESSURE CONNECTION

316SS

ELEMENT

316SS
<150kgf/cm² : C Type Bourdon Tube
≥150kgf/cm² : Helical Type Bourdon Tube

CASE

304SS

WINDOW

Glass (60mm)
Safety Glass (100 & 150mm)

COVER

304SS
Slip-on-Fit

MOVEMENT

304SS

DIAL

White Aluminium with
Black Graduations

POINTER

Aluminium alloy, Black painted : 150mm
304SS, Black painted : 60, 100mm

PROCESS CONNECTION

60mm : 1/4" PT, NPT & PF
100 and 150mm : 3/8", 1/2" PT, NPT & PF

ORDERING INFORMATION

BASE MODEL

P220 : INDUSTRIAL PRESSURE GAUGE

NOMINAL DIAMETER

- 2 : 60mm
- 4 : 100mm
- 6 : 150mm

MOUNTING TYPE (Refer to Mounting type & Dimension)

- A : Bottom Connection, Direct
- B : Bottom Connection, Surface, Case Mounting Plate
- G : Lower Back Connection, Direct
- L : Lower Back Connection, Flush, Case Centre Mounting Plate
- M : Lower Back Connection, Flush, Case Centre Mounting Bracket

ACCURACY

- 3 : ±1.0% of Full Scale, Not available with diameter 60mm
- 4 : ±1.5% of Full Scale.

CONNECTION

- C : 1/4, Only available with diameter 60mm
- D : 3/8, Not available with diameter 60mm
- E : 1/2, Not available with diameter 60mm

CONNECTION TYPE

- B : PF
- C : PT
- D : NPT
- Z : Other

UNIT

- B : kgf/cm²(Pressure) or cmHg + kgf/cm²(Compound)
- C : cmHg, Only available with vacuum gauge
- Z : Other

RANGE

Refer to Pressure Range Table

DIAL COLOR

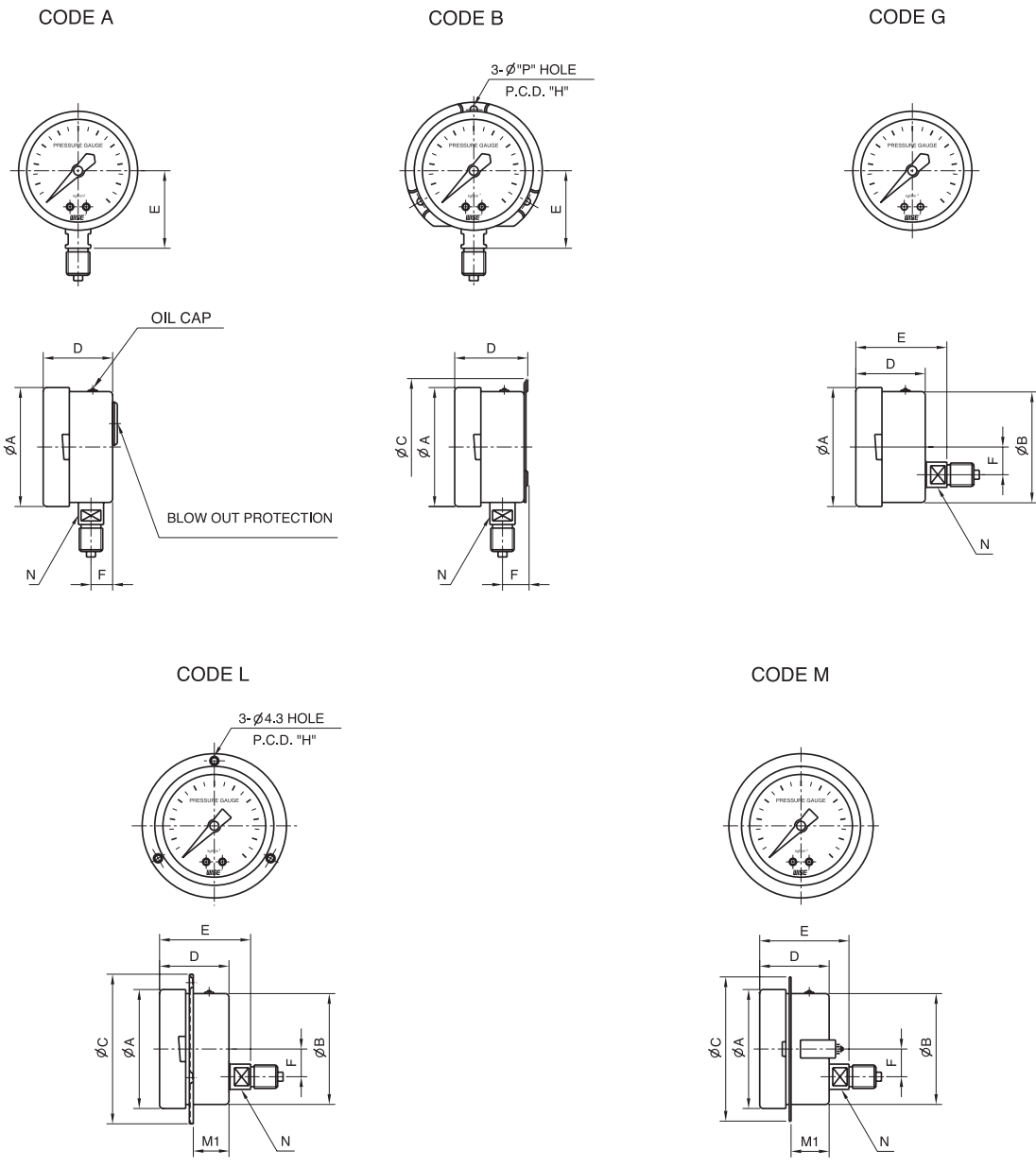
- 3 : 2 Colors
- Z : 3 Colors, Available with Compound and Vacuum Gauges

OPTIONS

- 0 : None
- 1 : Accessories

P220
4
A
3
E
C
B
041
3
0
SAMPLE MODEL NUMBER

P220 : TYPE OF MOUNTING



Dimensions (mm)

DIAL SIZE	AVAILABLE CODE	A	B	C	D	E	F	H	M1	N	p
60	A	71			40	51	14,5			12	
	B	71		82	42	49,5	17,5	74		12	4,5
	G	71			37	54	17,5			12	
	L	71	63,5	92	37	54	17,5	78	21	12	4,3
	M	71	63,5	71	37	54	17,5		22	12	
100	A	111			52	95	15,5			22	
	B	111		128	52	95	18,5	115		22	5,5
	G	111	99,5		50	103	29			22	
	L	111	99,5	132	50	103	29	116	29	22	4,8
	M	111	99,5	128	50	103	29		31	22	
150	A	168,5			63,5	105	25,5			17	
	B	168,5		178	68	105	21,5	165		17	5,5
	G,M	168,5	153,4	178	63,5	102	55		39	17	
	L	168,5	153,4	195	63,5	102	55	178	39	17	5,5

PRESSURE RANGE TABLE

	SCALE (kgf/cm ²)	60mm	100mm	150mm	ORDER CODE
VACUUM GAUGE	-76cmHg~0	○	○	○	026
PRESSURE GAUGE	4000mmH ₂ O	×	○	○	121
	5000mmH ₂ O	×	○	○	123
	0~0.4	×	○	○	130
	0~0.5	×	○	○	040
	0~1	○	○	○	041
	0~2	○	○	○	042
	0~3	○	○	○	043
	0~4	○	○	○	044
	0~6	○	○	○	045
	0~10	○	○	○	047
	0~15	○	○	○	050
	0~20	○	○	○	051
	0~25	○	○	○	052
	0~35	○	○	○	054
	0~50	○	○	○	055
	0~70	○	○	○	057
	0~100	○	○	○	058
	0~150	○	○	○	059
	0~250	○	○	○	062
	0~350	×	○	○	064
0~500	×	○	○	066	
0~700	×	○	○	068	
0~1000	×	○	○	070	
0~2000	×	○	○	075	
COMPOUND GAUGE	-76cmHg~1	○	○	○	027
	-76cmHg~2	○	○	○	028
	-76cmHg~3	○	○	○	029
	-76cmHg~4	○	○	○	030
	-76cmHg~6	○	○	○	031
	-76cmHg~10	○	○	○	032
	-76cmHg~15	○	○	○	033
	-76cmHg~20	○	○	○	034

○ : AVAILABLE × : NOT AVAILABLE